

PROCESS INDUSTRY PRACTICES
COLD INSULATION INSTALLATION DETAILS

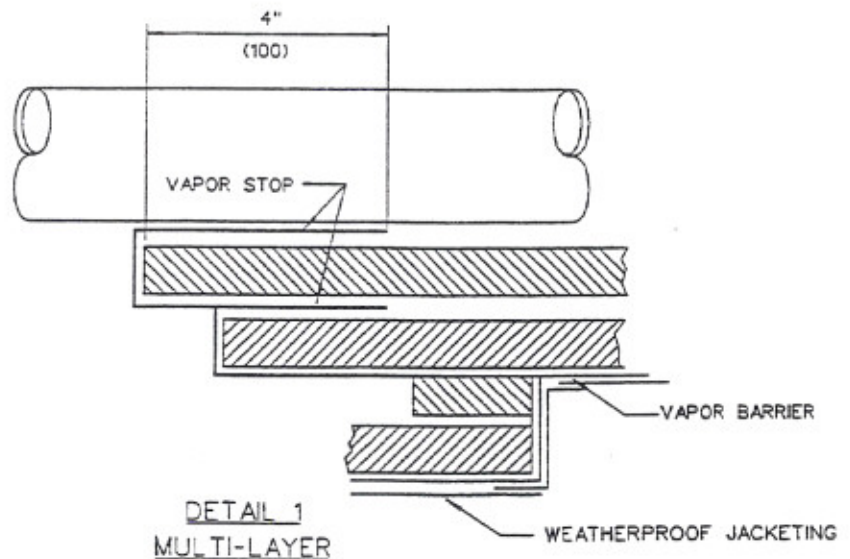
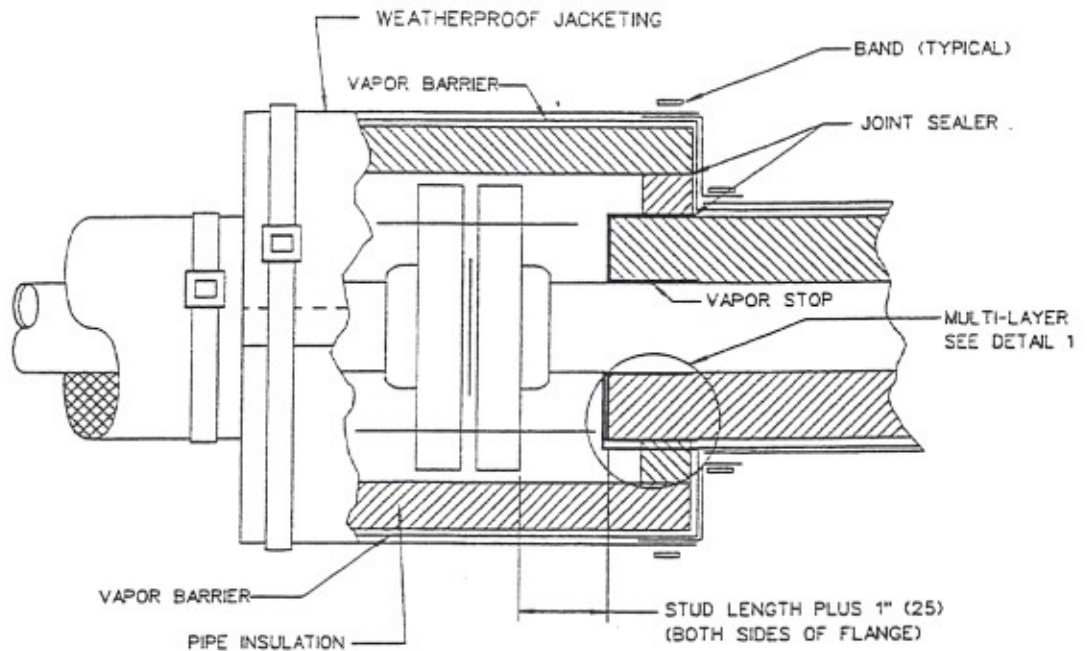
INIC0008

DATE 04-15-99

PAGE 1 OF 1

PIPING-FLANGE INSULATION

INIC1000



DIMENSIONS ARE GIVEN IN FEET AND/OR INCHES. METRIC DIMENSIONS
IN PARENTHESES ARE IN MILLIMETERS, UNLESS NOTED OTHERWISE.