

SPINAL CORD INJURY/DISORDERS DESIGN GUIDE

ISSUE:

To resolve current challenges interpreting the graphic diagrams contained in the SCI Design Guide to properly facilitate the design of Revised Acute Care SCI Patient (Litter) Bathroom:

1. Revise Acute Care SCI Patient self-care toilet lavatory.
2. Revise Acute Care SCI Patient (Litter) Bathroom (TLTS1) Reflected Ceiling Plan
3. Amend and revise paper towel and soap dispenser to be wall mounted
4. Revise configuration of toilet backrest and grab bar.
5. Delete grab bar at shower seat Acute and Long Term Care Bathrooms.
6. Extend patient lift rail to be adjacent to shower wall.
7. Include PVA Sketch 003A Backrest Detail.

Current SCI Inpatient facilities under design and construction have encountered numerous conflicts in facilitating SCI Patients' ease in access to cleaning and drying their hands after toileting. The current SCI toilet-vanity does not clearly indicate the patient's ergonomic mobility to the self-care vanity including wheelchair nesting about the water closet. The re-design of the patient self-care toilet/vanity identifies the necessity of a "bump-out" to "nest" the commode wheelchair. The patient hoist track configuration creates challenges in transporting and transferring patients to either the showering/transport gurney and hygiene/commode wheelchair. Curtain screening methodology difficult to interpret and the floor drain slope configuration is excessive.

DISCUSSION:

Both the Acute Care SCI Patient (Litter) Bathroom as well as the Long Term Care SCI Patient (Litter) Bathroom were reconfigured to address the patient needs regarding both the SCI patient ergonomic and anthropometric challenges required for proper self care while toileting. Both the acute care and long term care environments have salient features which are common, though the acute care environment has features not provided in the long term care patient bathroom. The designers must be aware that typically SCI patients have a difficult time modulating their body temperatures, particularly when bathing. When patients are toileting, increased air changes are necessary to adequately evacuate odors. Additionally, floor slopes must be positive to drains but not overwhelming as to create excessive slopes which would affect wheelchair maneuvering by the patient. Furthermore, lighting, HVAC

ALERT

supply and return as well as ceiling mounted patient lifts and privacy curtains require coordination to avoid conflicts and interferences.

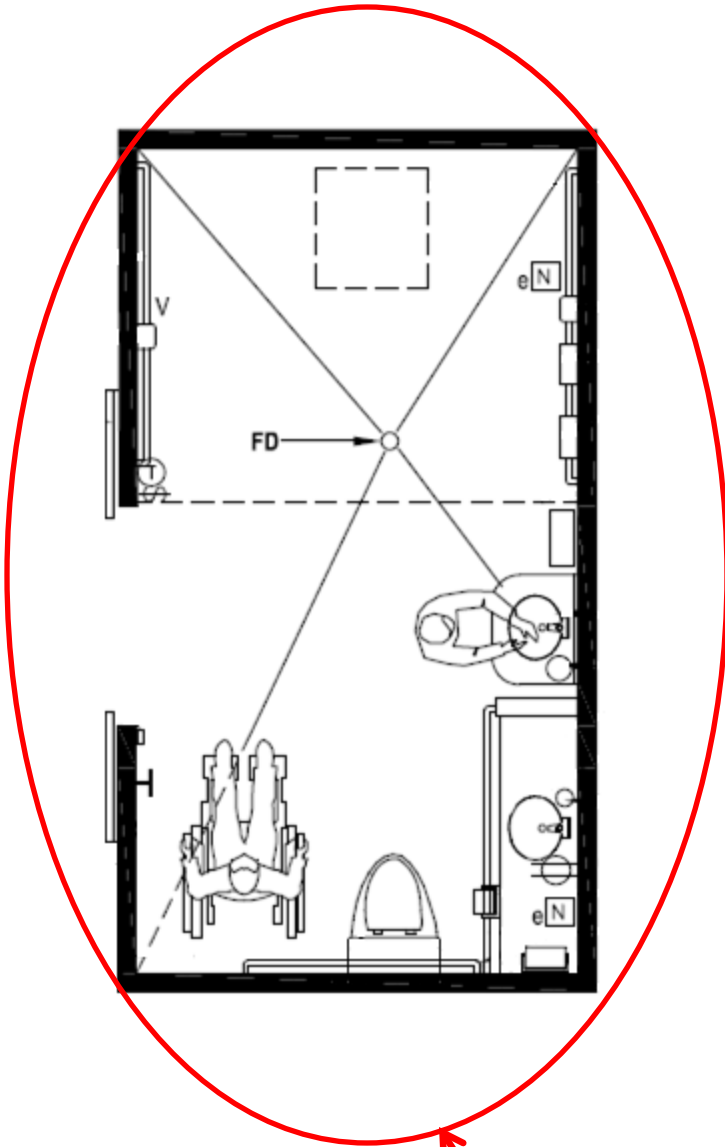
REQUIREMENTS:

Refer to attached Sketches SK-01 thru SK-08 dated 24 August 2011

FOR ADDITIONAL INFORMATION:

Contact Zoltan John Nagy, RA-NCARB-AAH, Facilities Quality Service at Zoltan.Nagy@va.gov.

**August 24, 2011
00CFM1A-DA-137**



Purpose:

The purpose of this study is to resolve current challenges interpreting the graphic diagrams contained in the SCI Design Guide.

Rational:

Current SCI Acute Care Inpatient facilities under design and construction have encountered numerous conflicts in facilitating SCI Patient's ease in access to cleaning and drying their hands after toileting. The current SCI toilet-vanity as does not clearly indicate the patient's ergonomic mobility to the self-care vanity including wheelchair nesting about the water closet. This study identifies the necessity of a "bump-out" to "nest" the commode wheelchair in plan view as well as elevations indicating a removable raised toilet seat for patients transfers as well as the reaching distance to soap and towel dispensers, toilet paper, lavatory faucet, emergency nurse call, and toilet flushing from wheelchairs and for patients utilizing a commode wheelchair.

Area of study

All notes and annotations from SCI/D Design Guide have been omitted.

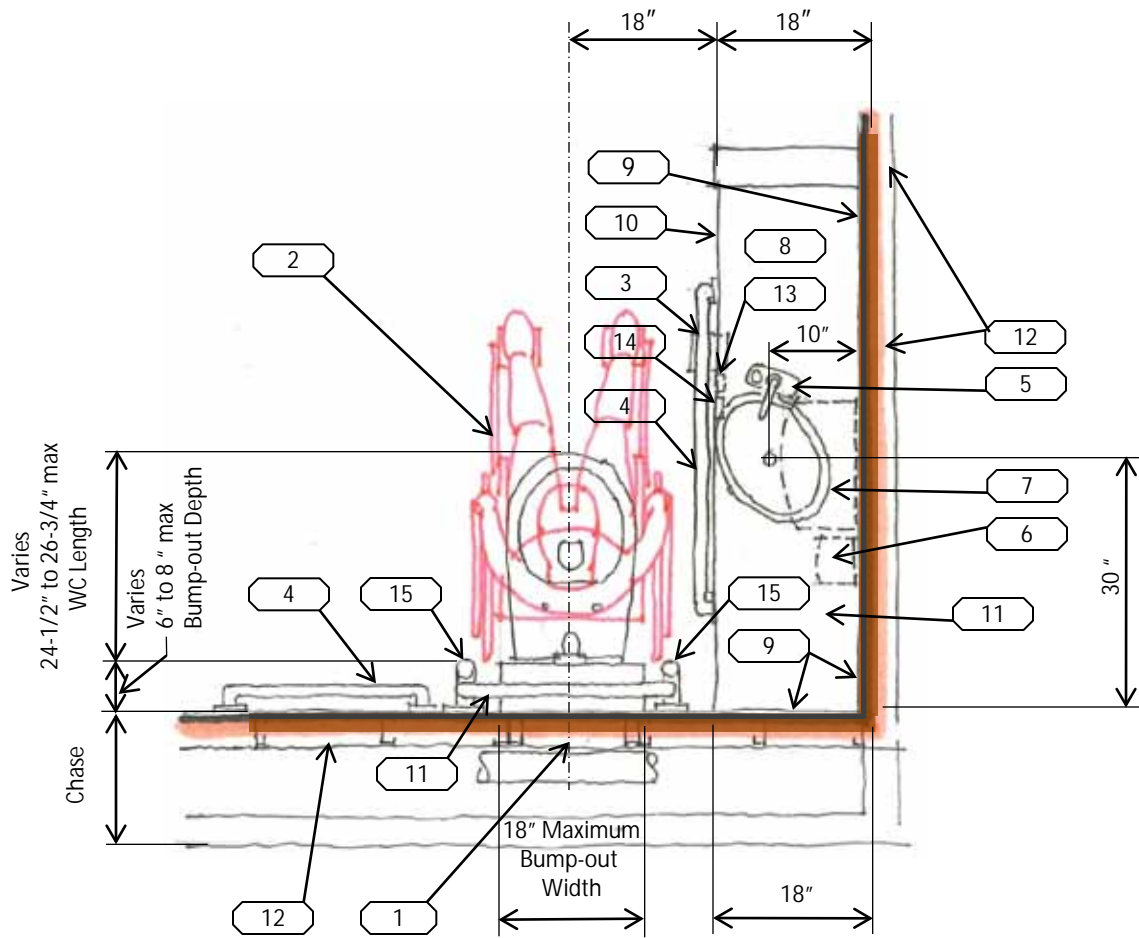
Floor Plan: SCI Toilet-Vanity

Extracted from Existing SCI Design Guide-2008, Page 3-25

Scale: NTS

24 August 2011

<http://www.cfm.va.gov/til/dGuide/dgscidc03.pdf>



Key Notes:

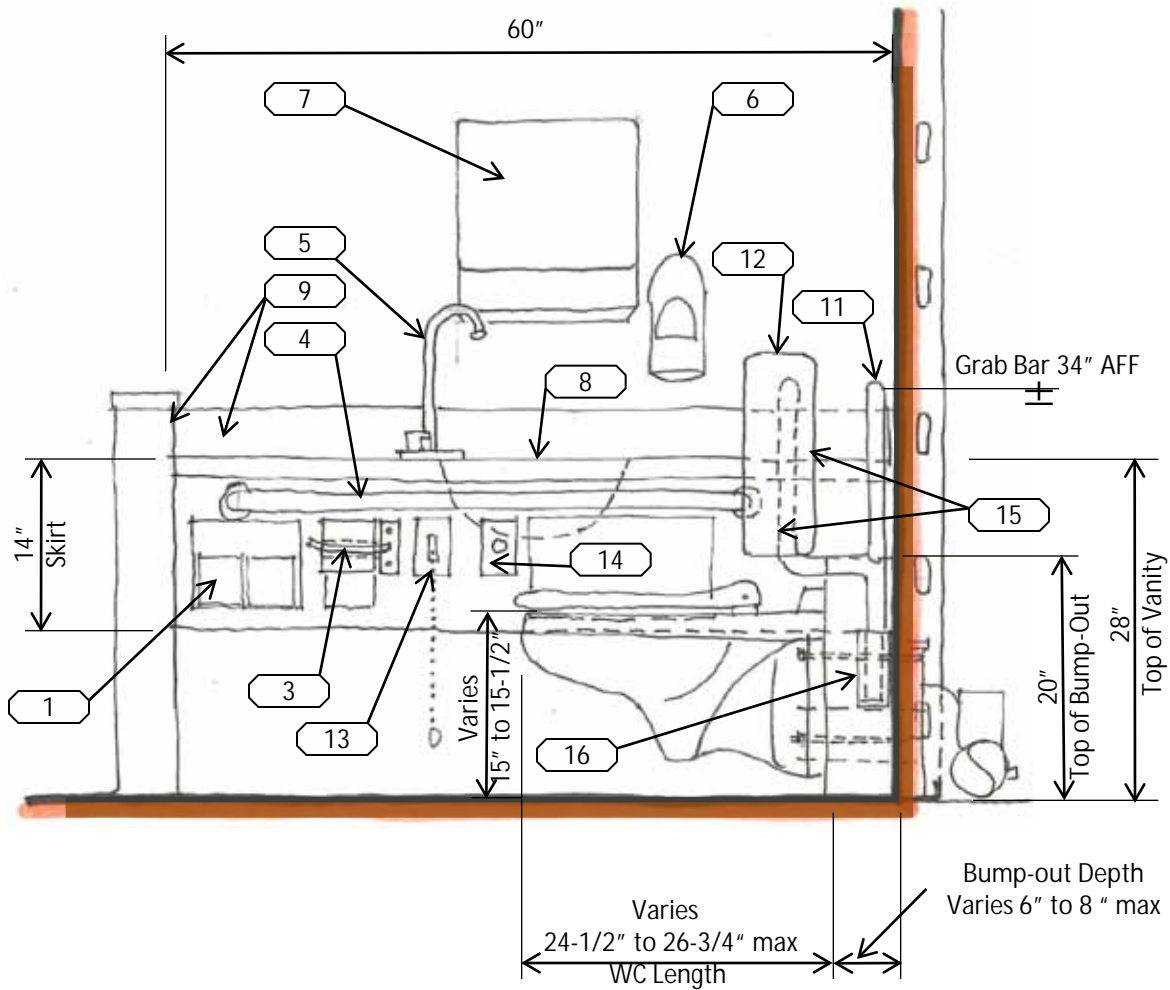
- | | |
|-----------------------------------------------|--------------------------------------------------------------------|
| (1) Water Closet Carrier w/ Carrier Extender | (10) Solid Surface Skirt |
| (2) Hygiene Wheelchair | (11) S/S Grab Bar component of backrest bracket assembly |
| (3) Toilet Paper Holder | (12) Metal Stud Partition, Cement Board w/ Ceramic Tile Finish |
| (4) S/S Grab Bar | (13) Emergency Nurse Call Cord |
| (5) Gooseneck Faucet-Infrared Actuated | (14) Toilet Flush Actuator Button |
| (6) Soap Dispenser-Infrared Actuated | (15) Stainless Steel Backrest Bracket Refer to PVA sketch SKA 003A |
| (7) Paper Towel Dispenser-Infrared Actuated | |
| (8) Solid Surface Countertop w/ Integral Sink | |
| (9) Solid Surface Backsplash | |

Floor Plan: Acute IP SCI Toilet-Vanity

Scale: 1/2" = 1'-0"

24 August 2011

SK-02



Key Notes:

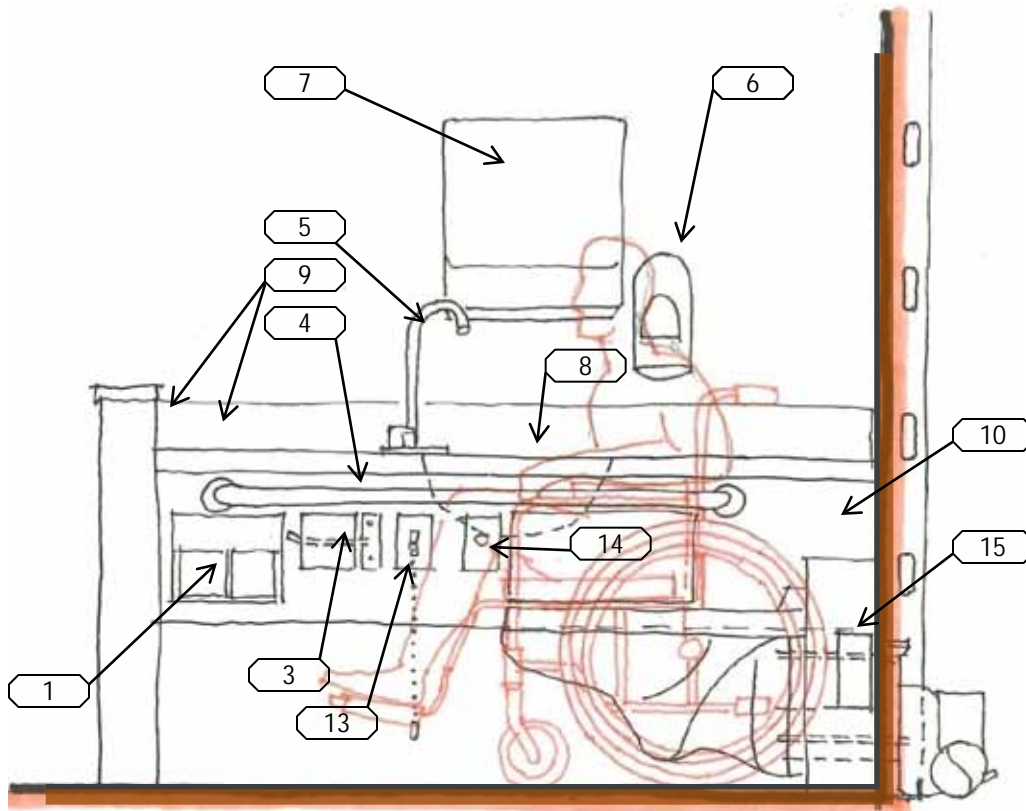
- | | | | |
|---|-------------------------------------------|----|---------------------------------------------------------------------|
| 1 | Toilet Tissue Storage "Pocket" | 10 | Solid Surface Skirt |
| 2 | Magazine / Lubricant Storage "Pocket" | 11 | S/S Grab Bar component of backrest bracket assembly |
| 3 | Toilet Paper Holder | 12 | Removable Padded Cushion Backrest |
| 4 | S/S Grab Bar | 13 | Emergency Nurse Call Cord |
| 5 | Gooseneck Faucet-Infrared Actuated | 14 | Toilet Flush Actuator Button |
| 6 | Soap Dispenser-Infrared Actuated | 15 | Stainless Steel Backrest Bracket Refer to PVA sketch SKA 003A |
| 7 | Paper Towel Dispenser-Infrared Actuated | 16 | Tubular Stainless Steel Backrest Frame Refer to PVA sketch SKA 003A |
| 8 | Solid Surface Countertop w/ Integral Sink | | |
| 9 | Solid Surface Backsplash | | |

Elevation: Acute IP SCI Toilet-Vanity

Scale: 3/4" = 1'-0"

24 August 2011

SK-03



Key Notes:

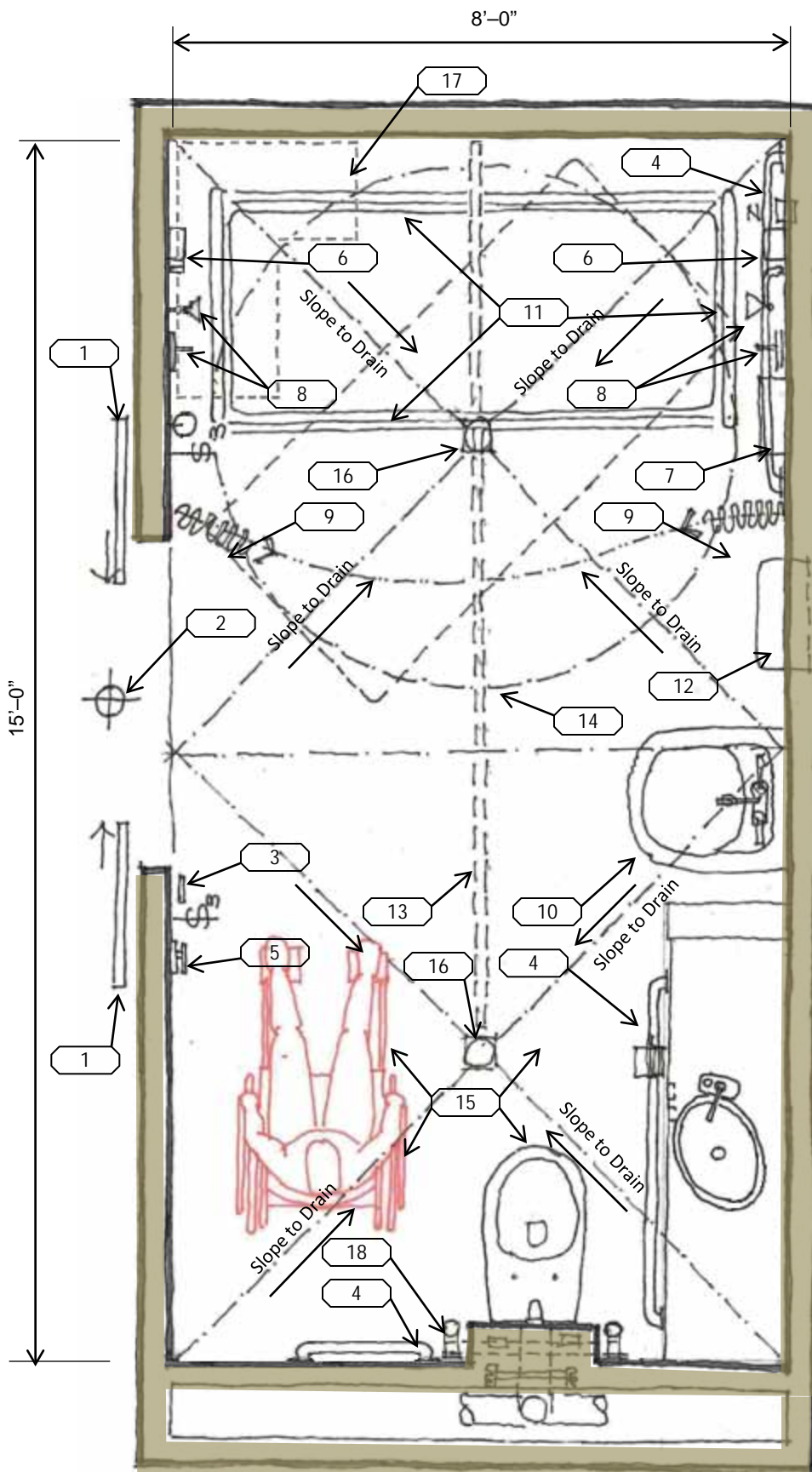
- | | | | |
|---|-------------------------------------------|----|---------------------------------------------------------------------|
| 1 | Toilet Tissue Storage "Pocket" | 10 | Solid Surface Skirt |
| 2 | Magazine / Lubricant Storage "Pocket" | 11 | Solid Surface "Tower" Supporting Soap and Paper Towel Dispensers |
| 3 | Toilet Paper Holder | 12 | Removable Padded Cushion Backrest |
| 4 | S/S Grab Bar | 13 | Emergency Nurse Call Cord |
| 5 | Gooseneck Faucet-Infrared Actuated | 14 | Toilet Flush Actuator Button |
| 6 | Soap Dispenser-Infrared Actuated | 15 | Stainless Steel Backrest Bracket Refer to PVA sketch SKA 003 |
| 7 | Paper Towel Dispenser-Infrared Actuated | 16 | Tubular Stainless Steel Backrest Frame Refer to PVA sketch SKA 003A |
| 8 | Solid Surface Countertop w/ Integral Sink | | |
| 9 | Solid Surface Backsplash | | |

Elevation with Wheelchair: Acute IP SCI Toilet-Vanity

Scale: 3/4" = 1'-0"

24 August 2011

SK-04



Key Notes:

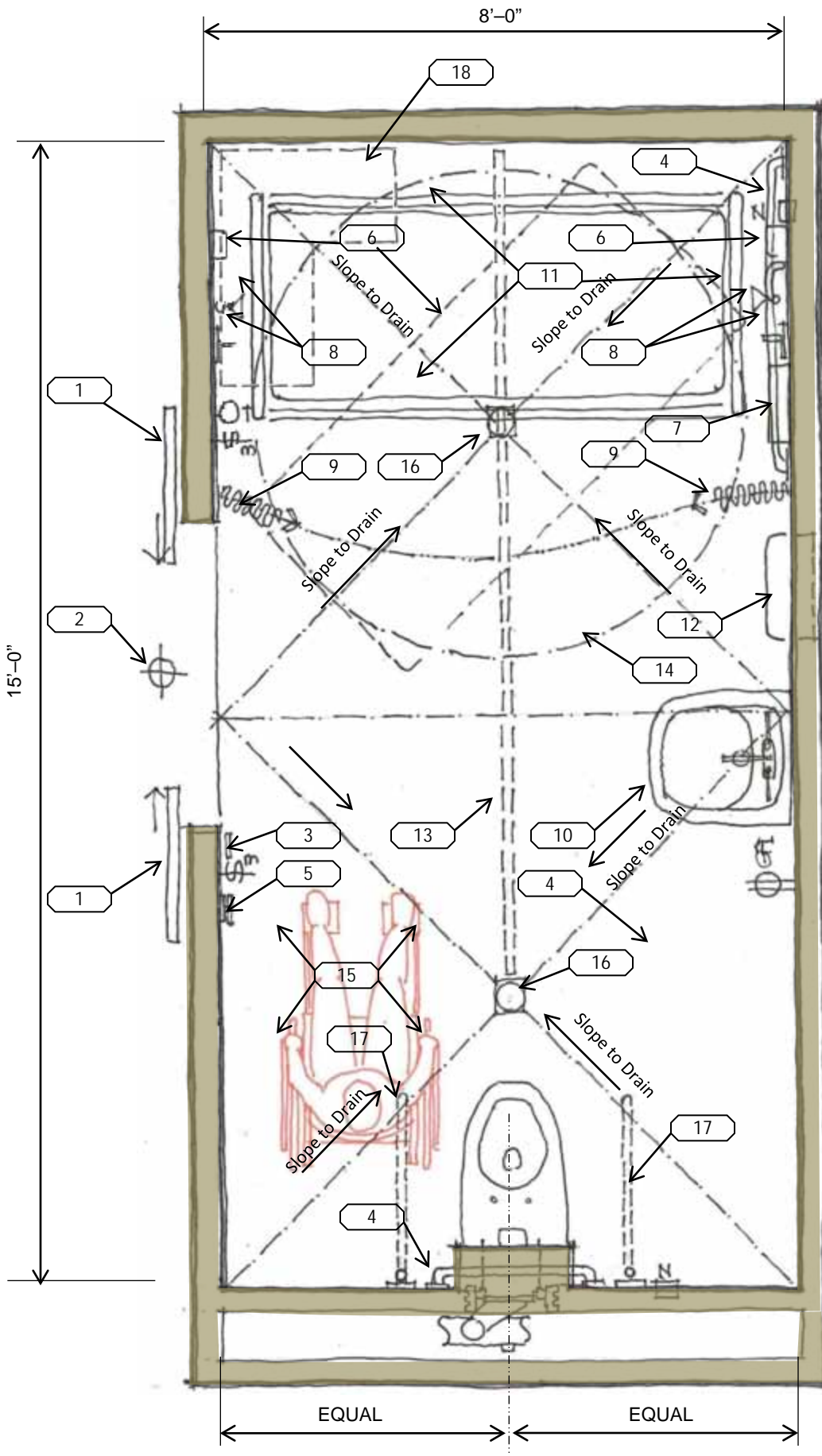
- 1 Automatic Sliding Door
- 2 "In Use" Light Mount Above Door Wire to Bath Light Circuit
- 3 Automatic Door Control Switch
- 4 S/S Grab Bar
- 5 Robe Hook
- 6 Soap Dish
- 7 Stainless Steel Shelf
- 8 Shower Fixture and Mixing Valve
- 9 Privacy Curtain
- 10 Caregiver Lavatory
- 11 Multiple Position Shower Gurney
- 12 S/S Combination Paper Towel Dispenser-Disposal Container
- 13 Patient Lift/Transfer Track (Optional)
- 14 Shower Gurney Maneuvering Zone
- 15 Patient Transfer & Maneuvering Zone
- 16 Floor Drain w/ Basket
- 17 "L"-Shaped Phenolic Fold-up Shower Seat
- 18 Tubular Stainless Steel Backrest Frame Refer to PVA sketch SKA 003A

Floor Plan: Acute IP SCI Bathroom

Scale: 1/2" = 1'-0"

24 August 2011

SK-05



Key Notes:

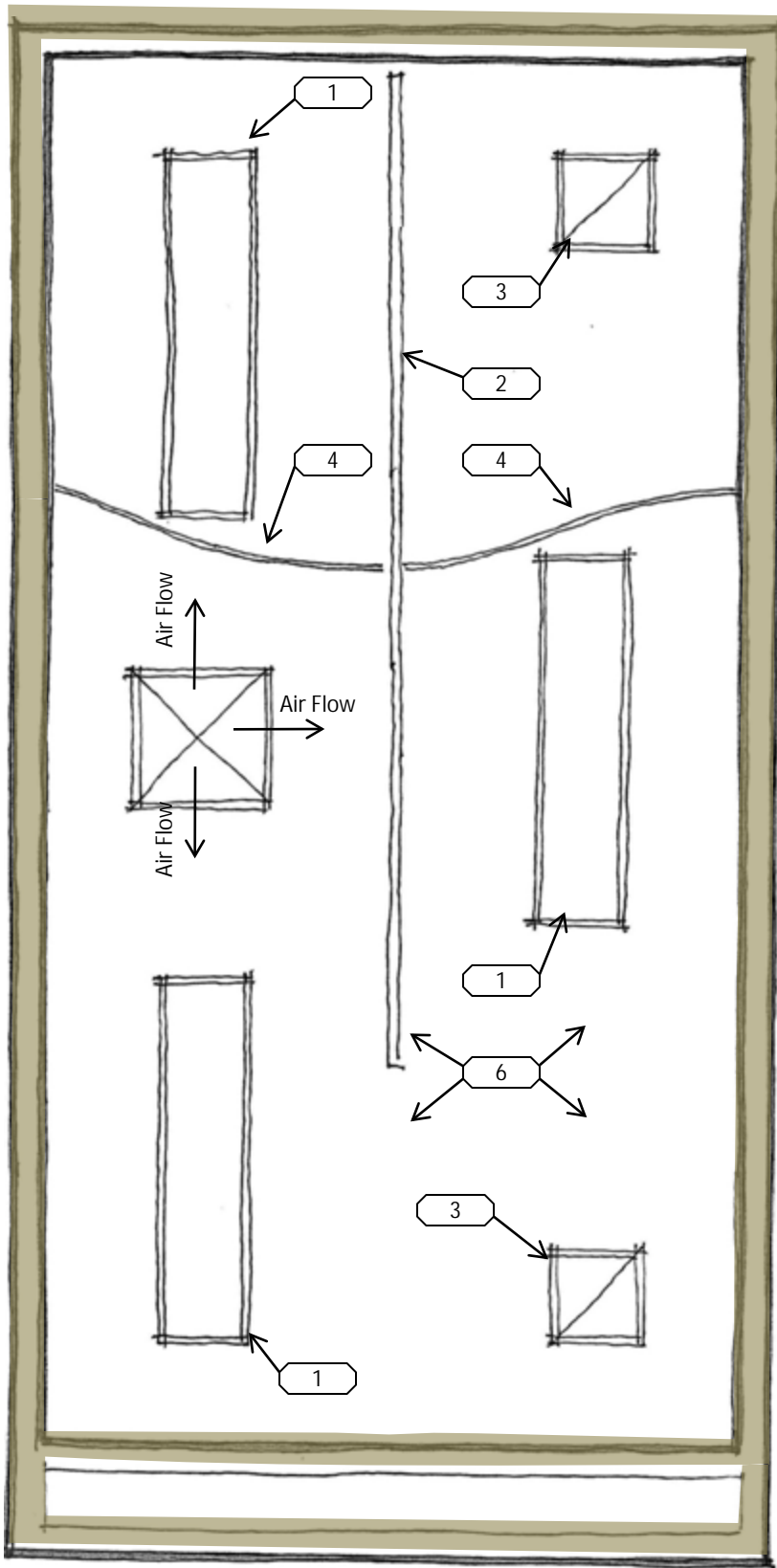
- 1 Automatic Sliding Door
- 2 "In Use" Light Mount Above Door Wire to Bath Light Circuit
- 3 Automatic Door Control Switch
- 4 S/S Grab Bar
- 5 Robe Hook
- 6 Soap Dish
- 7 Stainless Steel Shelf
- 8 Shower Fixture and Mixing Valve
- 9 Privacy Curtain
- 10 Caregiver Lavatory
- 11 Multiple Position Shower Gurney
- 12 S/S Combination Paper Towel Dispenser-Disposal Container
- 13 Patient Lift/Transfer Track (Optional)
- 14 Shower Gurney Maneuvering Zone
- 15 Patient Transfer & Maneuvering Zone
- 16 Floor Drain w/ Removable Basket
- 17 Fold Down S/S Grab Bar
- 18 "L"-Shaped Phenolic Fold-up Shower Seat

Floor Plan: Long Term Care SCI Bathroom

Scale: 1/2" = 1'-0"

24 August 2011

SK-06



Key Notes:

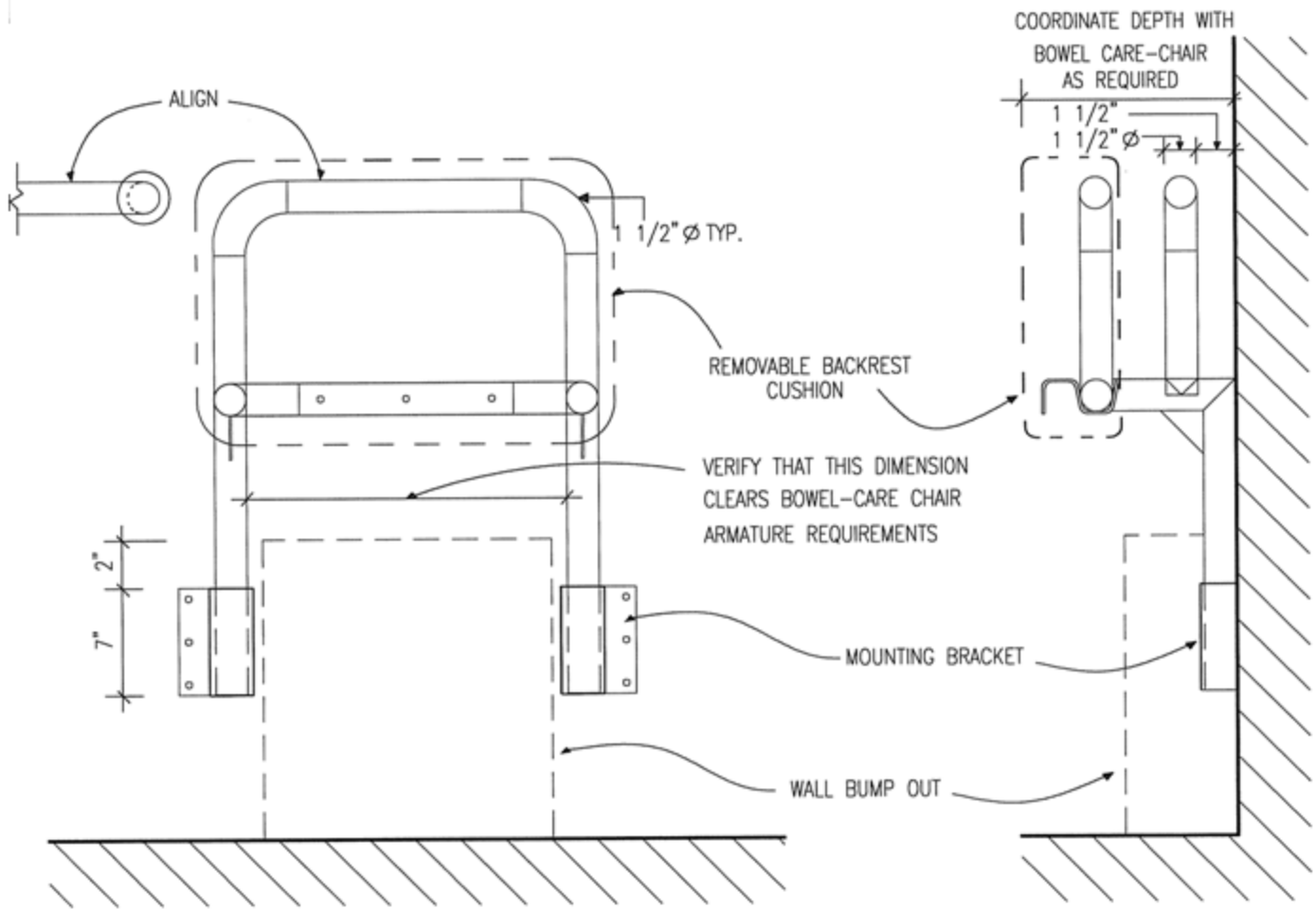
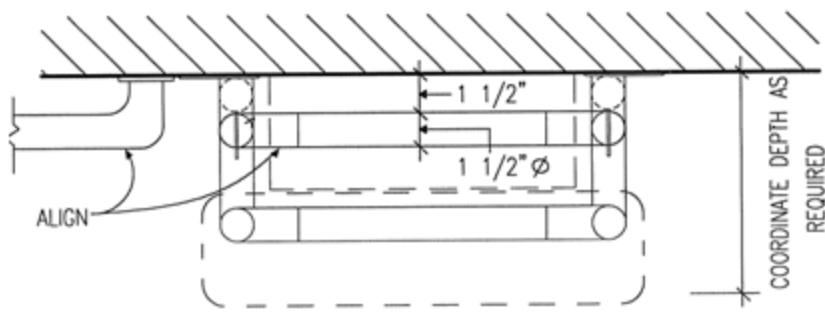
- 1 Fluorescent Light Fixture 1 x 4
Wet Environment Application
- 2 Patient Lift/Transfer Track
- 3 HVAC Return Grille
- 4 Privacy Curtain Track
- 5 HVAC Supply Register 3-Way
- 6 Gypsum Board Ceiling

Reflected Ceiling Plan: Acute IP and Long Term Care SCI Bathrooms

Scale: 1/2" = 1'-0"

24 August 2011

SK-07



- NOTE: 1. SECURE MOUNTING BRACKET TO WALL. PROVIDE OPENINGS AT BOTTOM OF SLEEVE FOR DRAINING.
2. VERTICAL DIMENSION AND MOUNTING HEIGHTS SHALL BE COORDINATED WITH TOILET AND BOWEL CARE-CHAIR REQUIREMENTS.

	BACKREST
	SCI/D CENTER SCALE: 1 1/2" = 1'-0" DATE: August 17, 2011 SKA 003A

PVA Detail:
Acute IP SCI Bathroom
 Scale: 1/2" = 1'-0" 24 August 2011

SK-08