

COMMUNICATION ABBREVIATIONS

1PH	SINGLE-PHASE
1P	SINGLE POLE
2/C	TWO-CONDUCTOR
3/C	THREE-CONDUCTOR
3PH	THREE-PHASE
4/C	FOUR-CONDUCTOR
4W	FOUR-WIRE
A/C UNIT	AIR CONDITIONING UNIT
A/E	ARCHITECT/ENGINEER
AAP	ALARM ANNUNCIATOR PANEL
AC	ALTERNATING CURRENT OR ARMORED CABLE
ACC	ACCESSIBLE
ADDL	ADDITIONAL
ADJ	ADJACENT, ADJOINING
ADO	AUTOMATIC DOOR OPENER
AFC	ABOVE FINISHED COUNTER
AFF	ABOVE FINISHED FLOOR
AFG	ABOVE FINISHED GRADE
AHJ	AUTHORITY HAVING JURISDICTION
ALT	ALTERNATE
AMB OR A	AMBIENT
ARCH	ARCHITECT
ATS	AUTOMATIC TRANSFER SWITCH
AUTO	AUTOMATIC
AV	AUDIO VISUAL
BAT	BATTERY
BC	BARE COPPER
BD	BOARD
BFF	BELOW FINISH FLOOR
BLDG	BUILDING
BPIP	BOILER PLANT INSTRUMENTATION PANEL
BYP	BY PASS
C	CONDUIT
CAB	CABINET
CALC	CALCULATE
CAP	CAPACITY
CAT	CATALOG
CATV	COMMUNITY ANTENNA TELEVISION



Department of
Veterans Affairs

DETAIL TITLE / COMMUNICATION ABBREVIATIONS

SCALE :NONE

DATE ISSUED: DECEMBER 2008

CAD DETAIL NO.: SD270511-01.DWG

COMMUNICATION ABBREVIATIONS

CCR	CONTROL CONTACTOR
CCTV	CLOSED CIRCUIT TELEVISION
CD	CONSTRUCTION DOCUMENTS
CF	CONTRACTOR FURNISHED
CF/CI	CONTRACTOR FURNISHED/CONTRACTOR INSTALLED
CF/OI	CONTRACTOR FURNISHED/OWNER INSTALLED
CFE	CONTRACTOR FURNISHED EQUIPMENT
CLG	CEILING
CMU	CONCRETE MASONRY UNIT
COAX	COAX CABLE
COMM	COMMUNICATION
COMPT	COMPARTMENT
CONC	CONCRETE
CONT	CONTINUE
CONTR	CONTRACTOR
COORD	COORDINATE
CTV	CABLE TELEVISION
CU	COPPER
CU FT	CUBIC FEET
CUR	CURRENT
DB	DECIBEL OR DIRECT BURIAL
DC	DIRECT CURRENT
DEG C	DEGREES CELSIUS
DEG F	DEGREES FAHRENHEIT
DEMO	DEMOLITION
DIAG	DIAGRAM
DISTR	DISTRIBUTION
DN	DOWN
DRSW	DOOR SWITCH
DWG	DRAWING
EC	EMPTY CONDUIT
EG	EQUIPMENT GROUND
EL	ELEVATION
ELEC	ELECTRIC OR ELECTRICAL
ELEV	ELEVATOR
EMER	EMERGENCY
EMI	ELECTROMAGNETIC INTERFERENCE
EMT	ELECTRICAL METALLIC TUBING



Department of
Veterans Affairs

DETAIL TITLE / COMMUNICATION ABBREVIATIONS

SCALE :NONE

DATE ISSUED: DECEMBER 2008

CAD DETAIL NO.: SD270511-02.DWG

COMMUNICATION ABBREVIATIONS

ENCL	ENCLOSURE
EPO	EMERGENCY POWER OFF
ESMT	EASEMENT
EXIST	EXISTING
FLEX	FLEXIBLE METALLIC CONDUIT
FOUTT	TELEPHONE FLOOR OUTLET
FP	FIRE PROTECTION
FT	FEET OR FOOT
FU SW	FUSED SWITCH
G OR GND	GROUND OR GENERATOR
GEN	GENERATOR
GTB	GROUND TERMINAL BOX
HOA	HAND-OFF-AUTOMATIC
HT	HEIGHT
HZ	HERTZ
IMC	INTERMEDIATE METAL CONDUIT
IR	INFRARED
J-BOX	JUNCTION BOX
LF	LINEAR FEET (FOOT)
LTNG	LIGHTNING
LV	LOW VOLTAGE
MATV	MASTER ANTENNA TELEVISION SYSTEM
MAX	MAXIMUM
MECH	MECHANICAL
MH	MANHOLE
MIN	MINIMUM
MT	MOUNT
MTD	MOUNTED
MTG	MOUNTING
NA	NOT APPLICABLE
NEC	NATIONAL ELECTRICAL CODE
NEUT OR N	NEUTRAL
NIC	NOT IN CONTRACT
NS	NO SCALE



Department of
Veterans Affairs

DETAIL TITLE / COMMUNICATION ABBREVIATIONS

SCALE :NONE

DATE ISSUED: DECEMBER 2008

CAD DETAIL NO.: SD270511-03.DWG

COMMUNICATION ABBREVIATIONS

NTS	NOT TO SCALE
OC	ON CENTER
OD	OUTSIDE DIAMETER
P	POLE
PA	PUBLIC ADDRESS
PB	PANELBOARD, PULL BOX, OR PUSHBUTTON
PBPU	PREFABRICATED BEDSIDE PATIENT UNIT
PED	PEDESTAL
PEND	PENDANT
PF	POWER FACTOR
PH	PHASE
PNL	PANEL
PVC	POLYVINYL CHLORIDE (PLASTIC)
PWR	POWER
RCP	REFLECTED CEILING PLAN
REC	RECESSED
RECPT	RECEPTACLE
RGS	RIGID GALVANIZED STEEL
RM	ROOM
REQD	REQUIRED
SF	SQUARE FOOT (FEET)
SHT	SHEET
SI	INTERNATIONAL SYSTEM OF UNITS
SPEC	SPECIFICATION
SURF	SURFACE
SW	SWITCH
TEL	TELEPHONE
TP	TWISTED PAIR
TPS	TWISTED PAIR SHIELDED
TTB	TELEPHONE TERMINAL BOARD
TV	TELEVISION
TYP	TYPICAL
UFD	UNDERFLOOR DUCT
UGND	UNDERGROUND
UL	UNDERWRITERS LABORATORY
UON	UNLESS OTHERWISE NOTED



Department of
Veterans Affairs

DETAIL TITLE / COMMUNICATION ABBREVIATIONS

SCALE :NONE

DATE ISSUED: DECEMBER 2008

CAD DETAIL NO.: SD270511-04.DWG

COMMUNICATION ABBREVIATIONS

UPS	UNINTERRUPTIBLE POWER SUPPLY
UTIL	UTILITY
V	VOLT
WP	WEATHERPROOF



Department of
Veterans Affairs











DETAIL TITLE / COMMUNICATION ABBREVIATIONS

SCALE :NONE

DATE ISSUED: DECEMBER 2008

CAD DETAIL NO.: SD270511-05.DWG

COMMUNICATION SYMBOLS

	OUTLET, COMBINATION TELEPHONE/DATA COMMUNICATION
—CATV—	CABLE TELEVISION LINE = CATV
—CCTV—	CLOSED CIRCUIT TELEVISION LINE = CCTV. MINIMUM 1" [25mm] CONDUIT
—FO—	FIBEROPTICS LINE = FO
— T —	TELEPHONE LINE = T
— I —	INTERCOM LINE = I. MINIMUM 3/4" [19mm] CONDUIT.
— S —	SOUND LINE = S
—NC—	NURSE CALL LINE = NC. MINIMUM 3/4" [19mm] CONDUIT.
— R —	RADIO CONDUIT RUN, MINIMUM 3/4" [19mm] CONDUIT.
	TELECOMMUNICATIONS MANHOLE
	FLOOR RECEPTACLE, TELEPHONE
	OUTLET TELEPHONE; LETTER INDICATES AS FOLLOWS: J = JACK TYPE W = WALL TYPE
	OUTLET DATA ONLY
	OUTLET; LETTER INDICATES AS FOLLOWS: A = AUDIO V = VIDEO I = INTERCOM
	SPEAKER, CEILING MOUNTED, "X" INDICATES THE TYPE, PROVIDE SCHEDULE ON LEGEND
	SPEAKER, WALL MOUNTED, "X" INDICATES THE TYPE, PROVIDE SCHEDULE ON LEGEND. MTD. 7'-6" [2286mm] AFF UNLESS OTHERWISE NOTED.
	RADIO CHANNEL SELECTOR FACILITIES, MTD. 4'-6" [1372mm] AFF UNLESS OTHERWISE NOTED.
	SPEAKER PROGRAM SELECTOR SWITCH & VOLUME CONTROL MTD. 4'-6" [1372mm] AFF UNLESS OTHERWISE NOTED.



COMMUNICATION SYMBOLS



OUTLET, TELEVISION

BLANK = 4 11/16" [119mm] MASTER ANTENNA OUTLET BOX W/BLANK COVER, MTD. 18" [457mm] AFF UNLESS OTHERWISE NOTED.

C = CAMERA (CCTV SYSTEM), MTD 18" [457mm] AFF

M = MONITOR (CTTV SYSTEM).



NURSE'S CALL MASTER STATION MTD ON NURSE'S COUNTER TOP UNLESS OTHERWISE NOTED.



NURSE CALL TERMINAL CABINET.



NURSE CALL STATION.

2 = DUPLICATE FACILITIES FOR TWO BEDS (SEPARATE INDICATORS AT MASTER STATION) MTD 5'-0" [1524mm] AFF UNLESS OTHERWISE NOTED.

D = DUTY STATION. MTD 5'-0" [1524mm] AFF UNLESS NOTED OTHERWISE

E = MTD 6'-0" [1829mm] AFF FOR SHOWER LOCATION, MTD 4'-6" [1372mm] AFF FOR TUB LOCATION, & MTD 3'-0" [914mm] AFF FOR TOILET LOCATION.

P = PSYCHIATRIC CORRIDOR STATION WITH KEY SWITCH

S = AUDIO VISUAL MALL STATION (STAFF) MTD 5'-0" [1524mm] AFF UNLESS OTHERWISE NOTED.

U = UTILITY CALL STATION, MTD 5'-0" [1524mm] AFF UNLESS OTHERWISE NOTED.



NURSE CALL STATION.

2 = NURSE'S CALL DOME LIGHT (SUFFIX INDICATES No OF LAMP) MTD 6" [152mm] ABOVE DOOR.

D = CORRIDOR DOME LIGHT.

I = AUXILIARY INTERSECTIONAL DOME LIGHT.



TELEPHONE TERMINAL CABINET



TELEPHONE BACKBOARD (WALL MOUNTED)



3-POLE TWIST-LOCK RECEPTACLE FOR MICROPHONE, MTD. 4'-6" [1372mm] AFF.



REMOTE DICTATING OUTLET MTD 1'-6" [457mm] AFF. UNLESS OTHERWISE NOTED.



Department of
Veterans Affairs

DETAIL TITLE / COMMUNICATION SYMBOLS

SCALE :NONE

DATE ISSUED: DECEMBER 2008

CAD DETAIL NO.: SD270511-07.DWG

COMMUNICATION SYMBOLS



REMOTE DICTATING OUTLET MTD 1'-6" [457mm] AFF. UNLESS OTHERWISE NOTED.



INTERCOM STATION (REFER TO SPECS. FOR FUNCTIONAL OPERATION OF INSTRUMENT & TYPE REQUIRED).



INTERCOM STAFF STATION.

NOTE:

FOR WHEELCHAIR PATIENT USE MOUNT TELEPHONE OUTLET 36" [914mm] AFF TO BOTTOM OF OUTLET BOX.

DESK PHONES – MOUNT OUTLET 1'-6" [457mm] AFF

PAY PHONES – MOUNT OUTLET 4'-0" [1219mm] AFF

HEIGHT OF TELECARD OUTLETS SHALL BE AS INDICATED ON BEDWALLS OR PBPU DETAILS.

SEE VA BARRIER FREE DESIGN GUIDE PG-18-13.



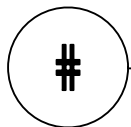
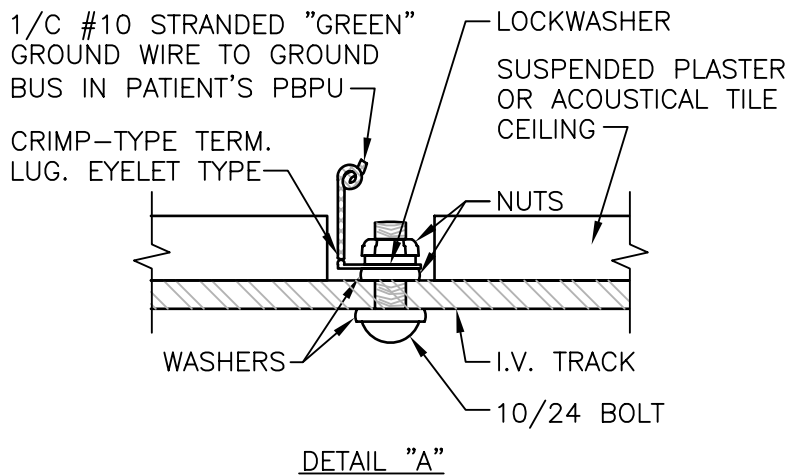
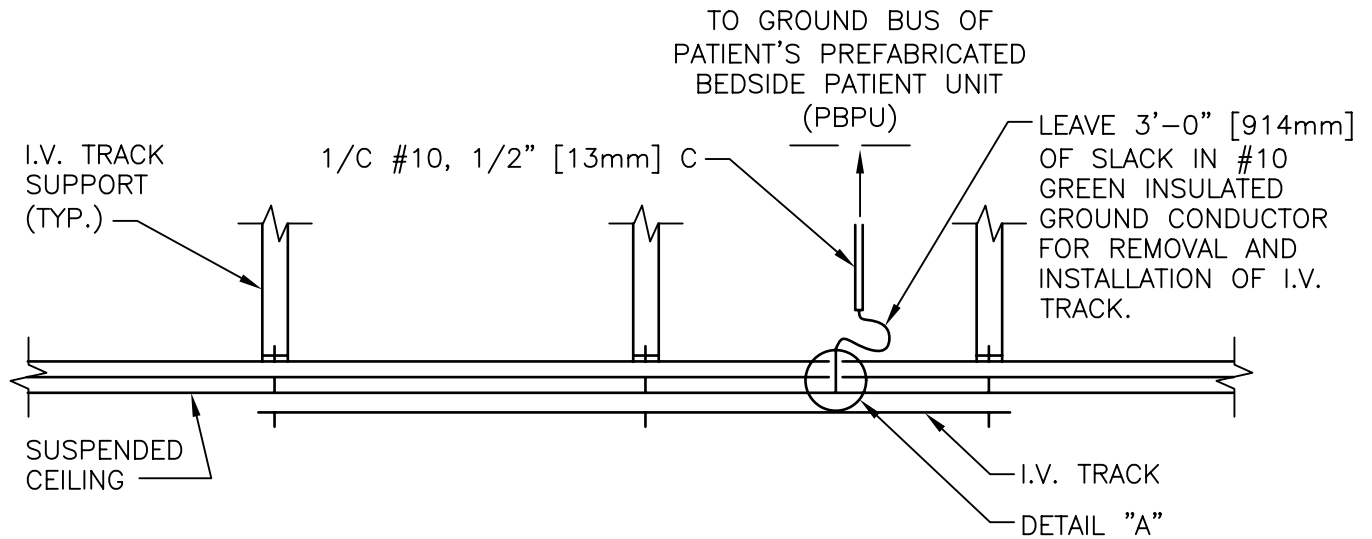
Department of
Veterans Affairs

DETAIL TITLE / COMMUNICATION SYMBOLS

SCALE :NONE

DATE ISSUED: DECEMBER 2008

CAD DETAIL NO.: SD270511-08.DWG



I.V. TRACK GROUNDING DETAILS

NTS



Department of
Veterans Affairs

DETAIL TITLE / I.V. TRACK GROUNDING DETAILS

SCALE :NONE

DATE ISSUED: DECEMBER 2008

CAD DETAIL NO.: SD275223-01.DWG