

NOTES

1. PROVIDE ONE EACH E0954, EMERGENCY CART, AND M7660, DEFIBRILLATOR, PER CLINIC.

KEY NOTES

1. PROVIDE A1165, IV TRACKS, FOR NAVY PROJECTS ONLY.
2. PROVIDE BOTTLED GAS IF BUILDING PIPED MCA AND OX ARE NOT AVAILABLE.
3. MOUNT A5145, HOOK, AT 1372 [4'-6"] AFF. PROVIDE 2-A5145'S FOR NAVY PROJECTS ONLY. MOUNT 1-A5145 AT 1372 [4'-6"] AFF AND 1-A5145 AT 1524 [5'-0"] AFF.
4. ONLY 1-E0954, EMERGENCY CART, AND M7660, DEFIBRILLATOR, IS REQUIRED PER OUTPATIENT CLINIC.
5. LENGTH OF E1500, WALL MOUNTED RAIL, TO BE DETERMINED BY MANUFACTURER/INSTALLER.
6. COORDINATE LOCATION OF ELECTRICAL OUTLETS WITH M1802, WALL MOUNTED, FOLD DOWN COMPUTER.
7. COORDINATE LOCATION OF M1620, PATIENT CHART HOLDER, AND ROOM SIGNAGE.
8. PROVIDE LABOR STRETCHER WITH STIRRUPS IN OB CLINICS.

TREATMENT ROOM, GENERAL, 1 BED (TRGM1)

PRIMARY CARE/FAMILY PRACTICE

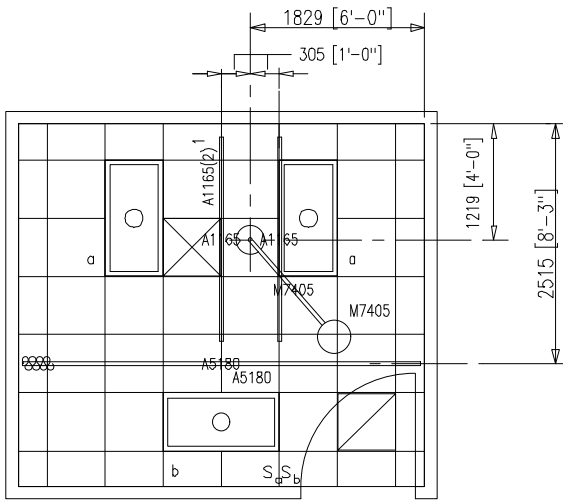
0 1000 2000

FLOOR/EQUIPMENT PLAN 16.26 NSM (175 NSF)



DATE: 07/12/2001

1:50 SCALE (MILLIMETERS)



KEY NOTES

1. PROVIDE A1165, IV TRACKS, FOR NAVY PROJECTS ONLY.

TREATMENT ROOM, GENERAL, 1 BED (TRGM1)

PRIMARY CARE/FAMILY PRACTICE

0 1000 2000

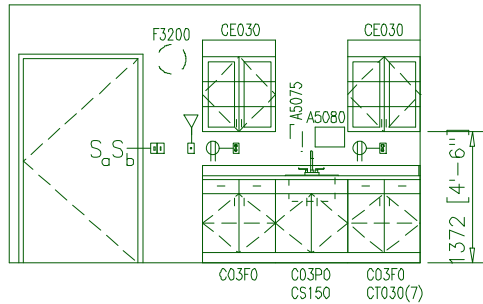
CEILING PLAN

16.26 NSM (175 NSF)

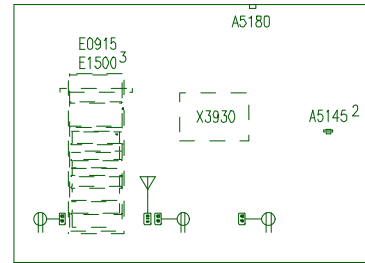


DATE: 07/12/2001

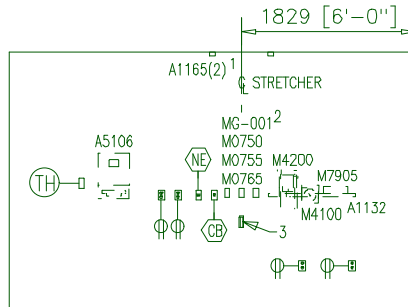
1:50 SCALE (MILLIMETERS)



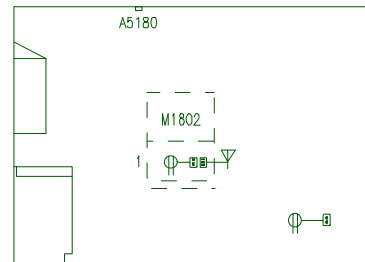
SOUTH



EAST



NORTH



WEST

General Notes:

1. For typical equipment mounting heights see "TYPICAL EQUIPMENT MOUNTING HEIGHTS" drawing.
2. MIL-STD-1691 data can only be accessed from the Equipment Plan.

KEY NOTES

1. PROVIDE A1165, IV TRACKS, FOR NAVY PROJECTS ONLY.
2. PROVIDE BOTTLED GAS IF BUILDING PIPED MCA AND OX ARE NOT AVAILABLE.
3. VACUUM SLIDE.

KEY NOTES

1. COORDINATE LOCATION OF ELECTRICAL OUTLETS WITH M1802, WALL MOUNTED, FOLD DOWN COMPUTER.
2. MOUNT A5145, HOOK, AT 1372 [4'-6"] AFF. PROVIDE 2-A5145'S FOR NAVY PROJECTS ONLY. MOUNT 1-A5145 AT 1372 [4'-6"] AFF AND 1-A5145 AT 1524 [5'-0"] AFF.
3. LENGTH OF E1500, WALL MOUNTED RAIL, TO BE DETERMINED BY MANUFACTURER/INSTALLER.

TREATMENT ROOM, GENERAL, 1 BED (TRGM1)

PRIMARY CARE/FAMILY PRACTICE

ELEVATIONS

DATE: 07/12/2001

16.26 NSM (175 NSF)

0 1000 2000



1:50 SCALE (MILLIMETERS)

Project Rooms (User Contents Only)

As of 10/04/2005

Page 1

Room Code: TRGM1 Room Qty: 1 Room Area: 174.98 Room Description: TX ROOM, GENERAL, 1 BED

JSN	NOMENCLATURE	Qty	UNIT	LOG	Utl	Utl	Utl	Utl	Utl	Utl
			ISSUE	CAT	1	2	3	4	5	6

Equipment per Room:

A1132	Rail, Accessory Mounting, Length As Required	1	LF	C
A1165	Track, IV, Ceiling Mounted, 7 Foot	4	EA	A
A5075	Dispenser, Soap, Disposable	1	EA	C
A5080	Dispenser, Paper Towel, SS, Surface Mounted	1	EA	A
A5106	Waste Disposal Unit, Sharps w/Glove Dispenser	1	EA	C
A5145	Hook, Garment, Double, SS, Surface Mounted	1	EA	A
A5180	Track, Cubicle, Surface Mounted, With Curtain	2	FT	A
C03F0	Cabinet, U/C/B, 1 Shelf, 2 Half DR, 2 DO, 36x30x	2	EA	A
C03P0	Cabinet, Sink, U/C/B, 2 Door, 36x30x22	1	EA	A
CE030	Cabinet, W/H, 2 SH, 2 GDO, Sloping Top, 38x30x13	2	EA	A
CS150	Sink, SS, Single Compartment, 10x19x16 ID	1	EA	A	D
CT030	Countertop, High Pressure Laminate	7	LF	A
E0915	Locker, Supply, Medication, Wall Mtd, 23"W x 20"	1	EA	C
E0954	Cart, Emergency, Mobile, 66"H x 52"W x 22"D	1	EA	C
E1500	Rail, MOD, W/MNTD, HX144XD	1	EA	C
F0205	Chair, Side With Arms	1	EA	C
F0340	Stool, Self Adjusting	1	EA	C
F2000	Basket, Wastepaper, Round, Metal, 18 H x 16 Dia.	1	EA	C
F3200	Clock, Battery, 12" Diameter	1	EA	C
M0750	Flowmeter, Air, Connect w/50 PSI Supply	1	EA	C	.	.	K	.	.	.
M0755	Flowmeter, Oxygen, Low Flow	1	EA	C	.	.	A	.	.	.
M0765	Regulator, Vacuum	1	EA	C	.	.	B	.	.	.
M1620	Holder, Chart, Patient, Wall or Door Mounted	1	EA	A
M1802	Work Station, Computer, Retractable, Wall Mount	1	EA	C	.	G	.	.	.	D
M3070	Hamper, Linen, Mobile, w/Lid	1	EA	C
M3072	Frame, Infectious Waste Bag w/Lid	1	EA	C
M4100	Sphygmomanometer, Aneroid, Wall Mounted	1	EA	C
M4200	Otoscope/Ophthalmoscope, Wall Mounted	1	EA	C	.	A
M4255	Stand, IV, Adjustable	1	EA	C
M4266	Pump, Volumetric, Infusion, Multiple Line	1	EA	C	.	A
M4665	Stretcher, Recovery, Surgical	1	EA	C
M7405	Light, Exam, Ceiling Mounted	2	EA	A	.	F
M7660	Defibrillator/Monitor/Recorder, Portable	1	EA	C	.	A

M7710	Electrocardiograph, 12 Lead, Portable	1	EA	C	.	A
M7905	Oximeter, Pulse	1	EA	C	.	A
M8810	Stand, Mayo	1	EA	C
X3930	Illuminator, Film, Double, Wall Mounted, 20x29x6	1	EA	C	.	A
		=====								
GRAND TOTAL		50								