

NOTES

1. VERIFY LEAD SHIELDING REQUIREMENTS.

KEY NOTES

1. MOUNT A5145, HOOK, AT 1372 [4'-6"] AFF.
2. LENGTH OF E1500, WALL MOUNTED RAIL, TO BE DETERMINED BY MANUFACTURER/INSTALLER.
3. COORDINATE LOCATION OF M1620, PATIENT CHART HOLDER, AND ROOM SIGNAGE.
4. COORDINATE LOCATIONS OF ELECTRICAL AND DATA OUTLETS WITH M1802, WALL MOUNTED, FOLD DOWN COMPUTER.
5. MOUNT A5145, HOOK, AT 1372 [4'-6"] AFF. PROVIDE 2-A5145'S FOR NAVY PROJECTS ONLY. MOUNT 1-A5145 AT 1372 [4'-6"] AFF AND 1-A5145 AT 1524 [5'-0"] AFF.

NUCLEAR MEDICINE, UPTAKE ROOM (NMUR1)

RADIOLOGY/NUCLEAR MEDICINE

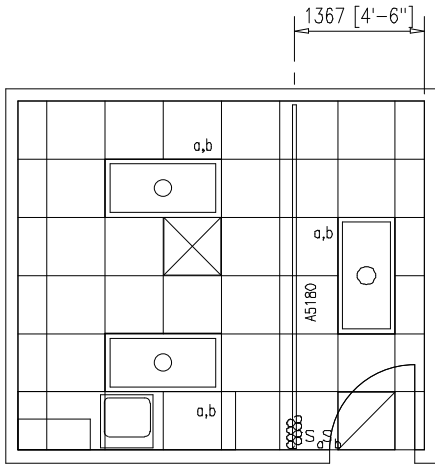
0 1000 2000

FLOOR/EQUIPMENT PLAN

15.61 NSM (168 NSF)

DATE: 01/28/2002

1:50 SCALE (MILLIMETERS)



NUCLEAR MEDICINE, UPTAKE ROOM (NMUR1)

RADIOLOGY/NUCLEAR MEDICINE

0 1000 2000

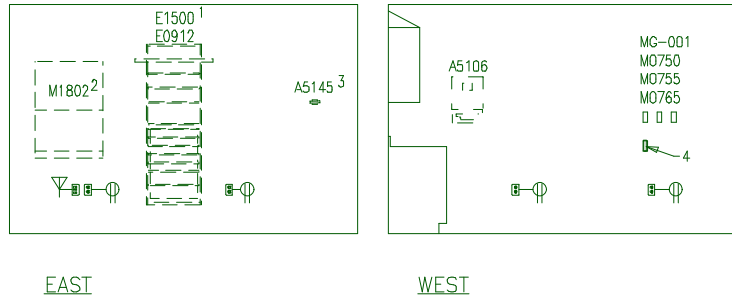
CEILING PLAN

15.61 NSM (168 NSF)



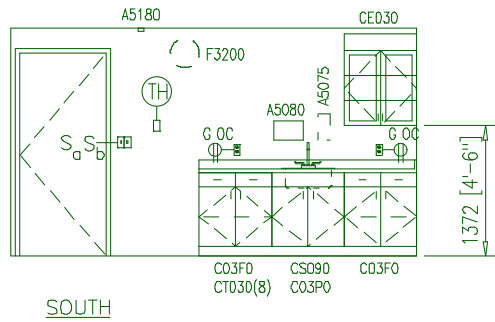
DATE: 01/28/2002

1:50 SCALE (MILLIMETERS)



General Notes:

1. For typical equipment mounting heights see "TYPICAL EQUIPMENT MOUNTING HEIGHTS" drawing.
2. MIL-STD-1691 data can only be accessed from the Equipment Plan.



KEY NOTES

1. LENGTH OF E1500, WALL MOUNTED RAIL, TO BE DETERMINED BY MANUFACTURER/INSTALLER.
2. COORDINATE LOCATIONS OF ELECTRICAL AND DATA OUTLETS WITH M1802, WALL MOUNTED, FOLD DOWN COMPUTER.
3. MOUNT A5145, HOOK, AT 1372 [4'-6"] AFF. PROVIDE 2-A5145'S FOR NAVY PROJECTS ONLY. MOUNT 1-A5145 AT 1372 [4'-6"] AFF AND 1-A5145 AT 1524 [5'-0"] AFF.
4. VACUUM SLIDE.

NUCLEAR MEDICINE, UPTAKE ROOM (NMUR1)

RADIOLOGY/NUCLEAR MEDICINE 0 1000 2000

ELEVATIONS 15.61 NSM (168 NSF)

DATE: 01/28/2002

1:50 SCALE (MILLIMETERS)

Project Rooms (User Contents Only)

As of 08/05/2005

Page 1

Room Code: NMUR1 Room Qty: 1 Room Area: 168.00 Room Description: NUCLEAR MEDICINE, UPTAKE ROOM

| JSN | NOMENCLATURE | Qty | UNIT | LOG | Ut1 | Ut1 | Ut1 | Ut1 | Ut1 | Ut1 |
|-----|--------------|-----|-------|-----|-----|-----|-----|-----|-----|-----|
| | | | ISSUE | CAT | 1 | 2 | 3 | 4 | 5 | 6 |

Equipment per Room:

| | | | | | | | | | | |
|-------|--|---|----|---|---|---|---|---|---|---|
| A5075 | Dispenser, Soap, Disposable | 1 | EA | C | . | . | . | . | . | . |
| A5080 | Dispenser, Paper Towel, SS, Surface Mounted | 1 | EA | A | . | . | . | . | . | . |
| A5106 | Waste Disposal Unit, Sharps w/Glove Dispenser | 1 | EA | C | . | . | . | . | . | . |
| A5145 | Hook, Garment, Double, SS, Surface Mounted | 2 | EA | A | . | . | . | . | . | . |
| A5180 | Track, Cubicle, Surface Mounted, With Curtain | 1 | FT | A | . | . | . | . | . | . |
| C03F0 | Cabinet, U/C/B, 1 Shelf, 2 Half DR, 2 DO, 36x30x | 2 | EA | A | . | . | . | . | . | . |
| C03P0 | Cabinet, Sink, U/C/B, 2 Door, 36x30x22 | 1 | EA | A | . | . | . | . | . | . |
| CE030 | Cabinet, W/H, 2 SH, 2 GDO, Sloping Top, 38x30x13 | 1 | EA | A | . | . | . | . | . | . |
| CS090 | Sink, SS, Single Compartment, 7.5x19x16 ID | 1 | EA | A | D | . | . | . | . | . |
| CT030 | Countertop, High Pressure Laminate | 8 | LF | A | . | . | . | . | . | . |
| E0912 | Locker, Supply, Med Surg, Wall Mtd | 1 | EA | C | . | . | . | . | . | . |
| E1500 | Rail, MOD, W/MNTD, HX144XD | 1 | EA | C | . | . | . | . | . | . |
| F0205 | Chair, Side With Arms | 1 | EA | C | . | . | . | . | . | . |
| F0340 | Stool, Self Adjusting | 1 | EA | C | . | . | . | . | . | . |
| F2000 | Basket, Wastepaper, Round, Metal, 18 H x 16 Dia. | 1 | EA | C | . | . | . | . | . | . |
| F3200 | Clock, Battery, 12" Diameter | 1 | EA | C | . | . | . | . | . | . |
| L9840 | Counter, Gamma, RIA, Manual | 1 | EA | C | . | A | . | . | . | . |
| M0750 | Flowmeter, Air, Connect w/50 PSI Supply | 1 | EA | C | . | . | K | . | . | . |
| M0755 | Flowmeter, Oxygen, Low Flow | 1 | EA | C | . | . | A | . | . | . |
| M0765 | Regulator, Vacuum | 1 | EA | C | . | . | B | . | . | . |
| M1620 | Holder, Chart, Patient, Wall or Door Mounted | 1 | EA | A | . | . | . | . | . | . |
| M1802 | Work Station, Computer, Retractable, Wall Mount | 1 | EA | C | . | G | . | . | . | D |
| M4925 | Chair, Exam/Treatment, With Motor | 1 | EA | C | . | A | . | . | . | . |
| X9500 | System, Uptake, Thyroid, Mobile | 1 | EA | C | . | B | . | . | . | . |

GRAND TOTAL

=====
33