

EYEL1 - INTERIOR DESIGN

Floor Finish		Wall Finish		Ceiling Finish		Room Height	Room Noise		
Preferred	Alternate	Preferred	Alternate	Preferred	Alternate	ft - in	Min NC	Max NC	SC
VT	-	GPT	-	AT1	-	8' - 0"	30	35	40

WRC01 - INTERIOR DESIGN

Floor Finish		Wall Finish		Ceiling Finish		Room Height	Room Noise		
Preferred	Alternate	Preferred	Alternate	Preferred	Alternate	ft - in	Min NC	Max NC	SC
VT	-	GPT	-	AT1	-	8' - 0"	30	35	40

EYEL1 - DOOR SCHEDULE

Mark	Type	Count	Height	Width	Notes
			ft - in	ft - in	
A	Single-Flush	1	7' - 0"	3' - 0"	

**Room Description:** Eyelane (EYEL1/WRC01)

**NSF:** 230  
70

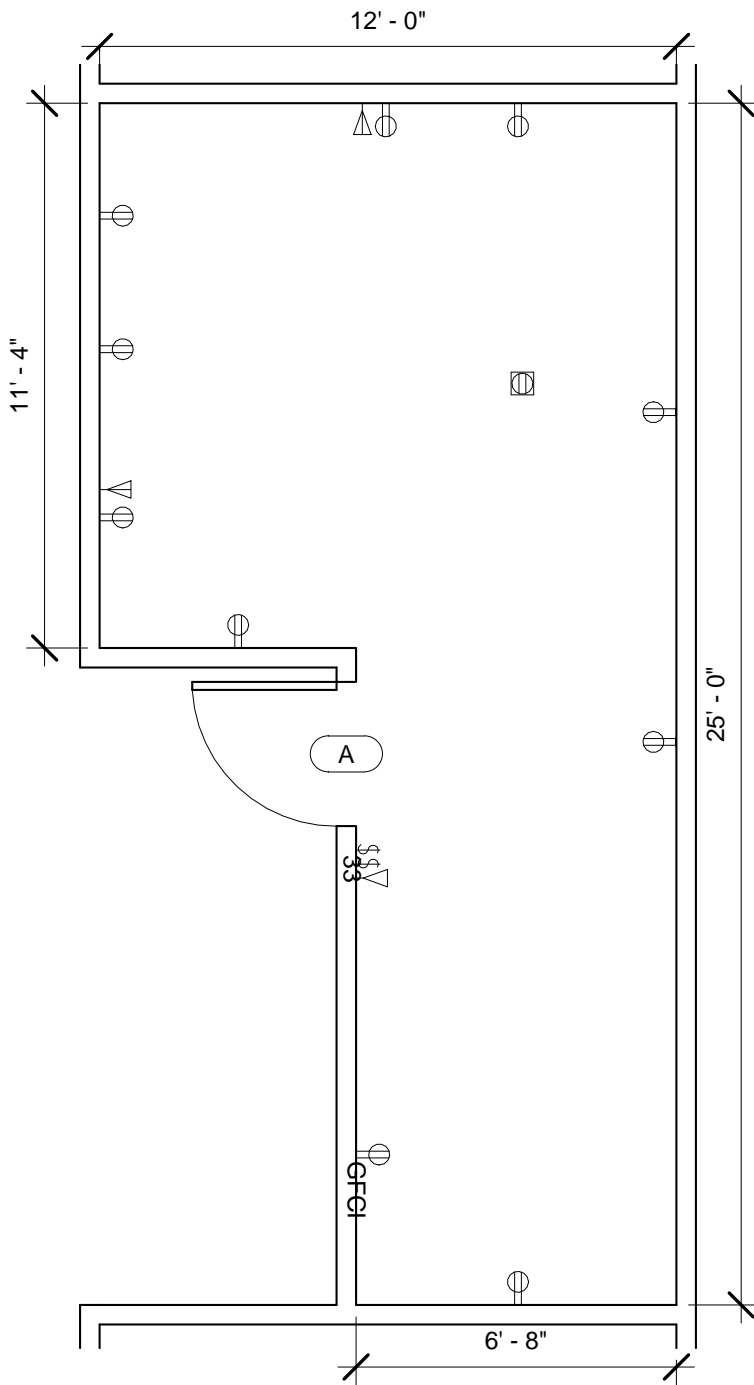
**EYEL1/WRC01**

**Plate Description:** Room/Equipment Isometric

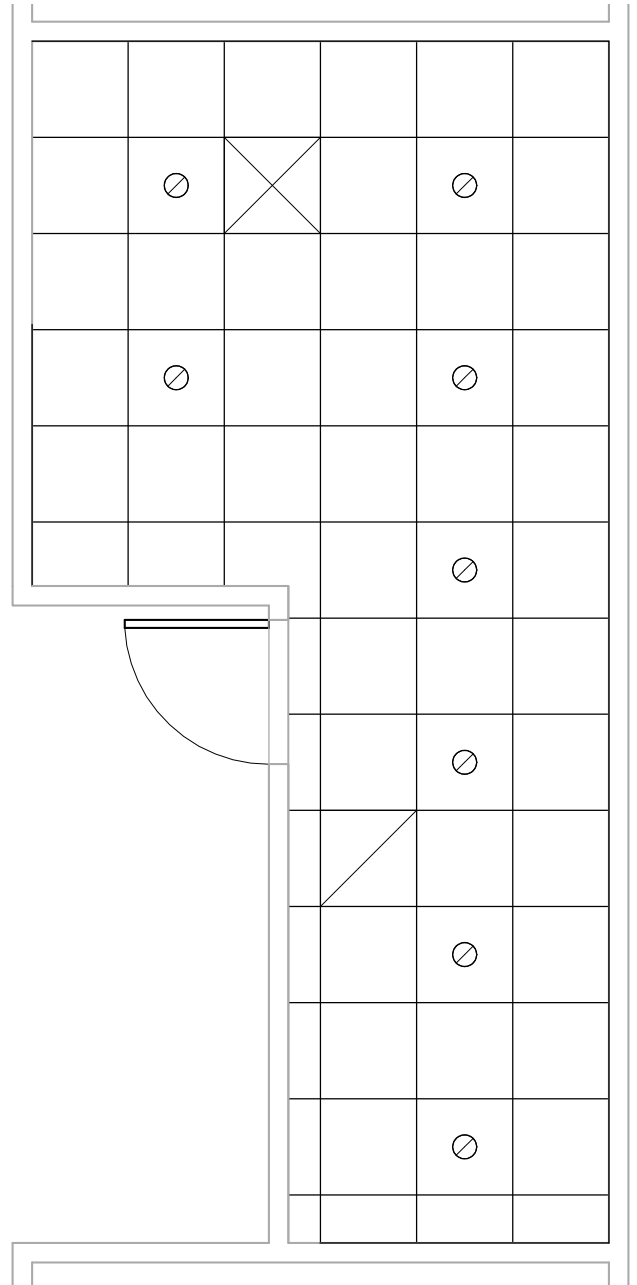
**Scale:**

Sheet  
**1**

of  
**6**

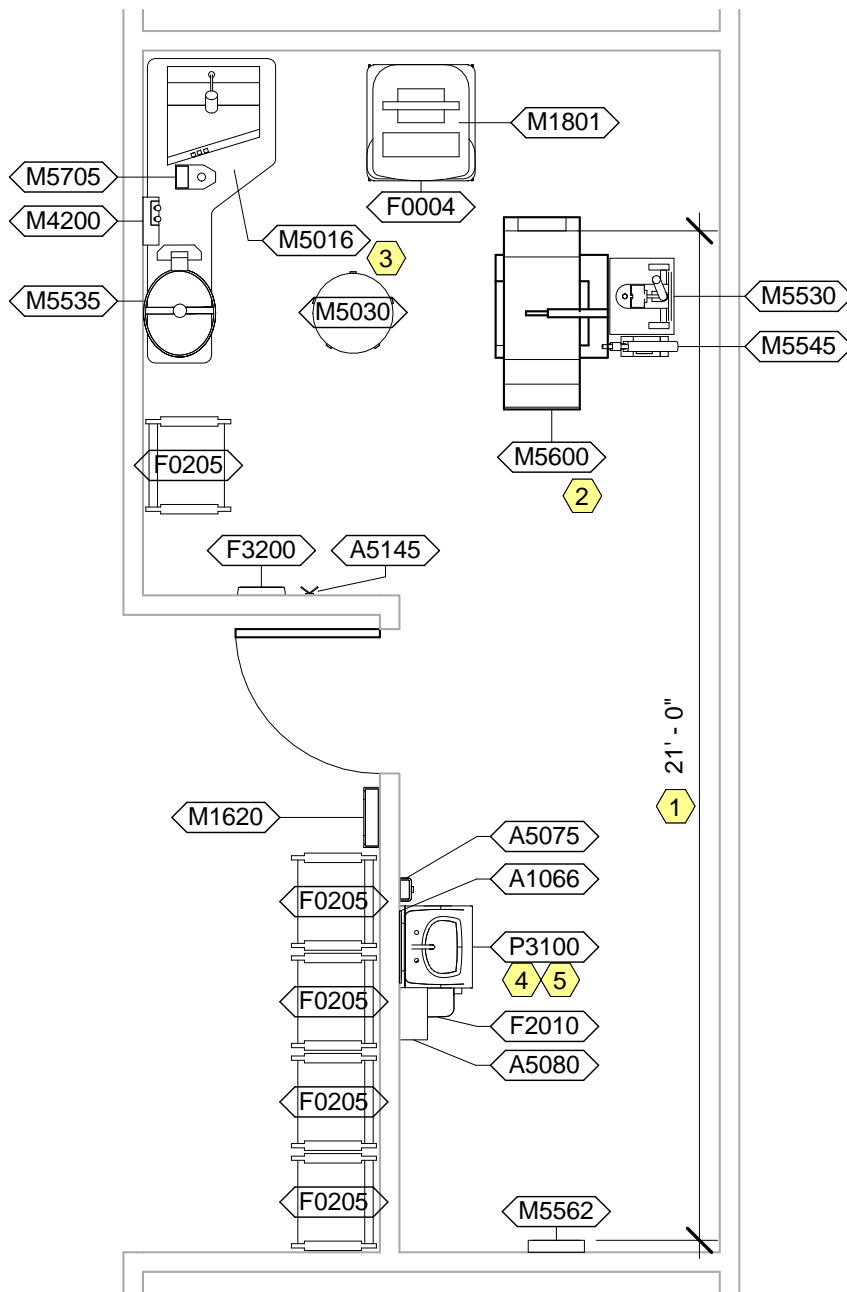


EYEL1/WRC01 - FLOOR PLAN



EYEL1/WRC01 - CEILING PLAN

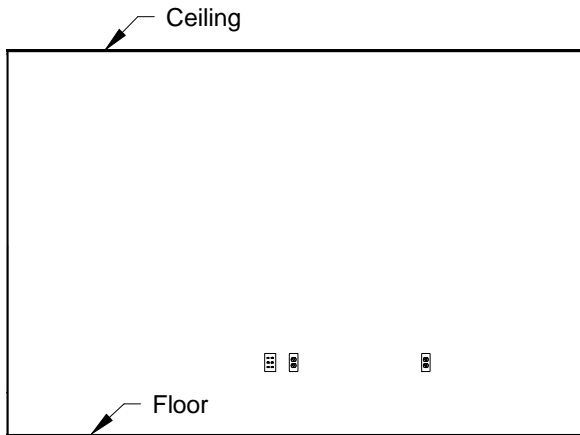
<b>Room Description:</b> Eyelane (EYEL1/WRC01)	<b>NSF:</b> 230 70	<b>EYEL1/WRC01</b>	
<b>Plate Description:</b> Floor & Ceiling Plans	<b>Scale:</b> 1/4" = 1'-0"	Sheet <b>2</b>	of <b>6</b>



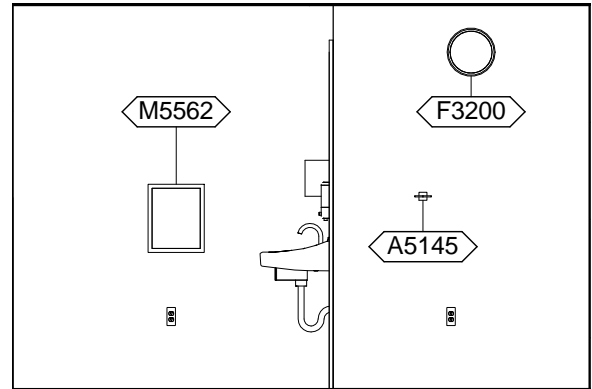
EYEL1/WRC01 - NOTES

- 1 Coordinate JSN M5562, Tester, Visual Acuity, with JSN M5600, Unit, Exam, Eye, to assure a straight line distance of 21'-0" from face of the screen, JSN M5562, Tester, Visual Acuity, to the front surface of the headrest, JSN M5600, Unit, Exam, Eye.
- 2 If equipment pole is mounted on the JSN M5016, Desk, Refraction, instead of beside M5600, Unit, Exam, Eye, JSN M5016, Desk, Refraction, may need to be relocated.
- 3 Lighting controls shall be integrated with JSN M5016, Desk, Refraction.
- 4 JSN P3200, Lavatory Electronic, may be used instead of JSN P3100, Lavatory. For the JSN P3200, Lavatory Electronic, provide either battery power or hard wired connection.
- 5 JSN P8710, Utility Center, shall be included in Navy projects only.

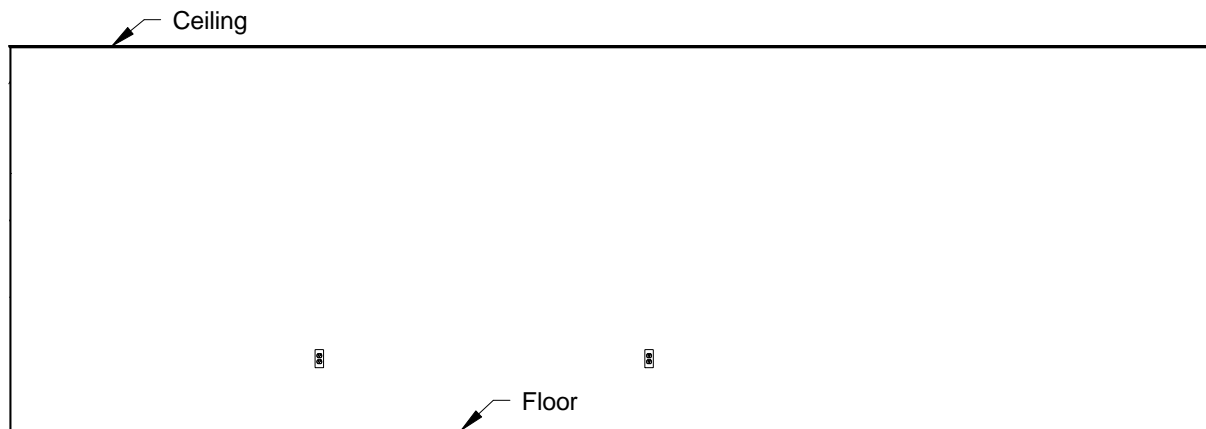
<b>Room Description:</b> Eyelane (EYEL1/WRC01)	<b>NSF:</b> 230 70	<b>EYEL1/WRC01</b>	
<b>Plate Description:</b> Equipment Plan	<b>Scale:</b> 1/4" = 1'-0"	Sheet <b>3</b>	of <b>6</b>



EYEL1 - PLAN NORTH

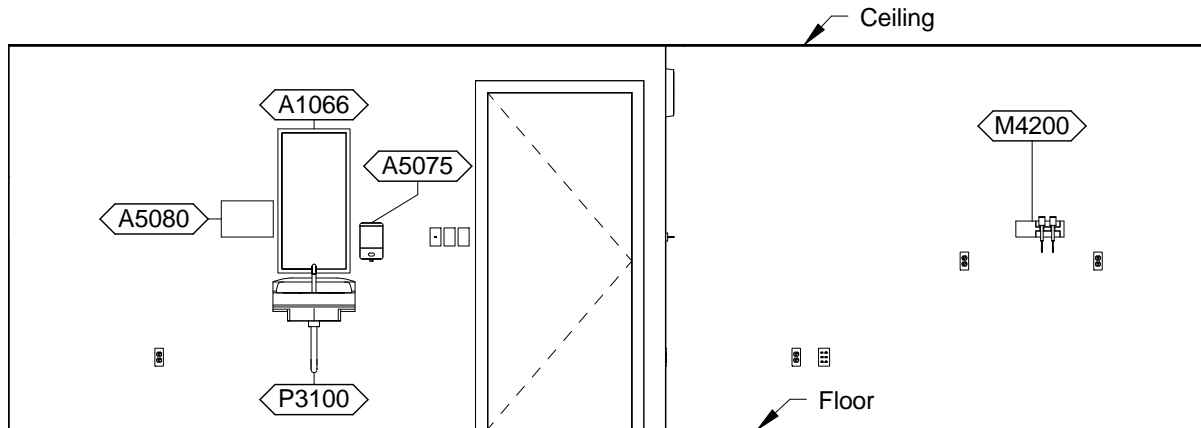


EYEL1 - PLAN SOUTH

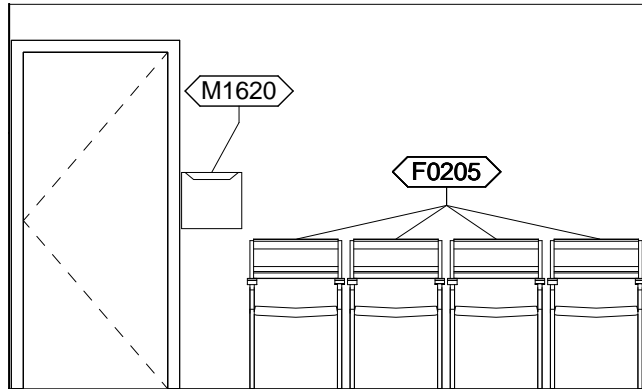


EYEL1 - PLAN EAST

<b>Room Description:</b> Eyelane (EYEL1/WRC01)	<b>NSF:</b> 230 70	<b>EYEL1/WRC01</b>	
<b>Plate Description:</b> Interior Room Elevations	<b>Scale:</b> 1/4" = 1'-0"	Sheet <b>4</b>	of <b>6</b>



EYEL1 - PLAN WEST



WRC01 - PLAN EAST

<b>Room Description:</b> Eyelane (EYEL1/WRC01)	<b>NSF:</b> 230 70	<b>EYEL1/WRC01</b>	
<b>Plate Description:</b> Interior Room Elevations	<b>Scale:</b> 1/4" = 1'-0"	Sheet <b>5</b>	of <b>6</b>

EYEL1 - EQUIPMENT SCHEDULE

JSN	Nomenclature	Qty	AR	Logistics			Utilities					
				NA	AF	VA	1	2	3	4	5	6
A1066	Mirror, Float Glass, With SS Frame	1	A	A	A	A	-	-	-	-	-	-
A5075	Dispenser, Soap, Disposable	1	C	C	C	C	-	-	-	-	-	-
A5080	Dispenser, Paper Towel, SS, Surface Mounted	1	A	A	A	A	-	-	-	-	-	-
A5145	Hook, Garment, Double, SS, Surface Mounted	1	A	A	A	A	-	-	-	-	-	-
F0004	Mobile, Workstation	1	C	C	C	C	-	-	-	-	-	-
F0205	Chair, Side With Arms	1	C	C	C	C	-	-	-	-	-	-
F2010	Basket, Wastepaper, Step-On	1	C	C	C	C	-	-	-	-	-	-
F3200	Clock, Battery, 12" Diameter	1	C	C	C	C	-	-	-	-	-	-
M1620	Holder, Chart, Patient, Wall or Door Mounted	1	A	A	A	A	-	-	-	-	-	-
M1801	Computer, Microprocessing, w/Flat Panel Monitor	1	C	C	C	C	-	A	-	-	-	-
M4200	Otoscope/Ophthalmoscope, Wall Mounted	1	C	C	-	C	-	A	-	-	-	-
M5016	Desk, Refraction w/console, w/o Sink	1	A	E	A	A	-	F	-	-	-	-
M5030	Stool, Surgeon, Revolving	1	C	C	C	C	-	-	-	-	-	-
M5530	Lamp, Slit, w/Applanation Tonometer	1	C	C	C	C	-	A	-	-	-	-
M5535	Ophthalmoscope, Binocular, Indirect	1	C	C	C	C	-	A	-	-	-	-
M5545	Ophthalmometer/Keratometer	1	C	C	C	C	-	A	-	-	-	-
M5562	Tester, Visual Acuity, Video/Microprocessor Based	1	C	C	C	C	-	A	-	-	-	-
M5600	Unit, Exam, Eye, w/Motor Chair, Phoropter	1	C	C	C	C	-	A	-	-	-	-
M5705	Gauge, Distance, Pupillary	1	C	C	C	C	-	-	-	-	-	-
P3100	Lavatory, Vitreous China, Slab Type	1	A	A	A	A	D	-	-	-	-	-

WRC01 - EQUIPMENT SCHEDULE

JSN	Nomenclature	Qty	AR	Logistics			Utilities					
				NA	AF	VA	1	2	3	4	5	6
F0205	Chair, Side With Arms	4	C	C	C	C	-	-	-	-	-	-

EYEL1 - DATA/TELEPHONE EQUIPMENT

JSN	Nomenclature	Qty	AR	Logistics		
				NA	AF	VA
A1010	Telecommunication Outlet	2	A	A	A	A
A1014	Telephone, Wall Mounted, 1 Line, with Speaker	1	A	A	A	A

<b>Room Description:</b> Eyelane (EYEL1/WRC01)	<b>NSF:</b> 230 70	<b>EYEL1/WRC01</b>	
<b>Plate Description:</b> Equipment Schedule	<b>Scale:</b>	Sheet <b>6</b>	of <b>6</b>