

Room Description: Exam/Treatment, Veterinary (VEX01)

NSF: 140

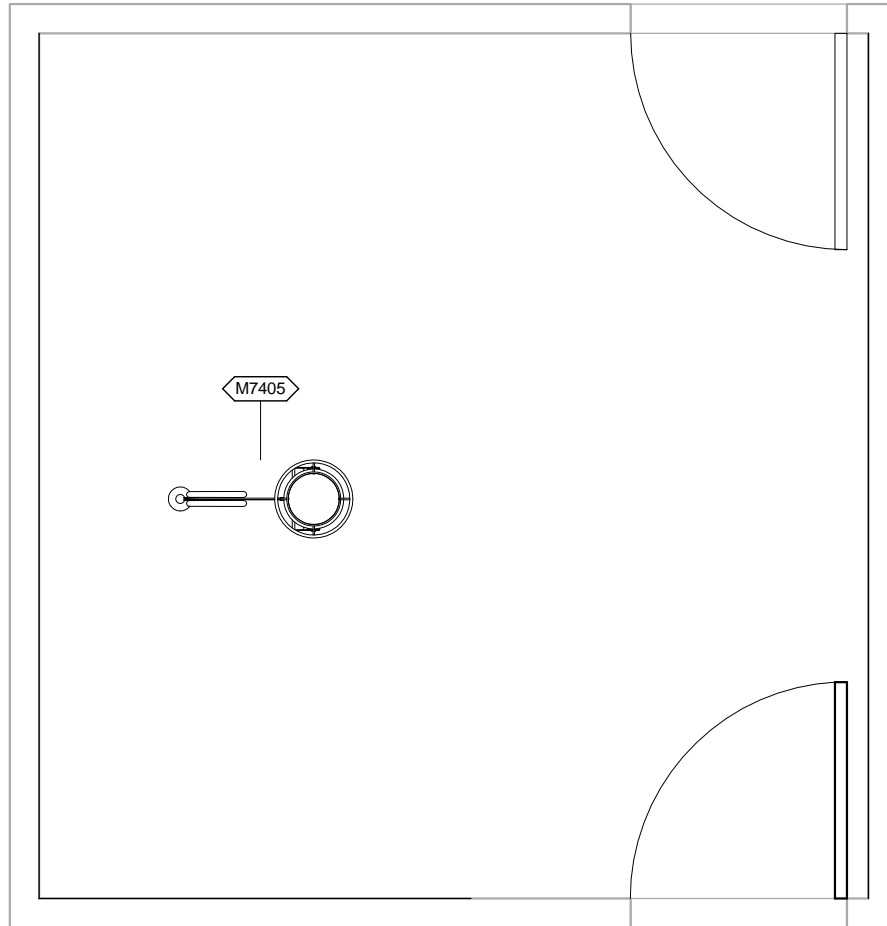
VEX01

Sheet Description: Room/Equipment Isometric

Scale:

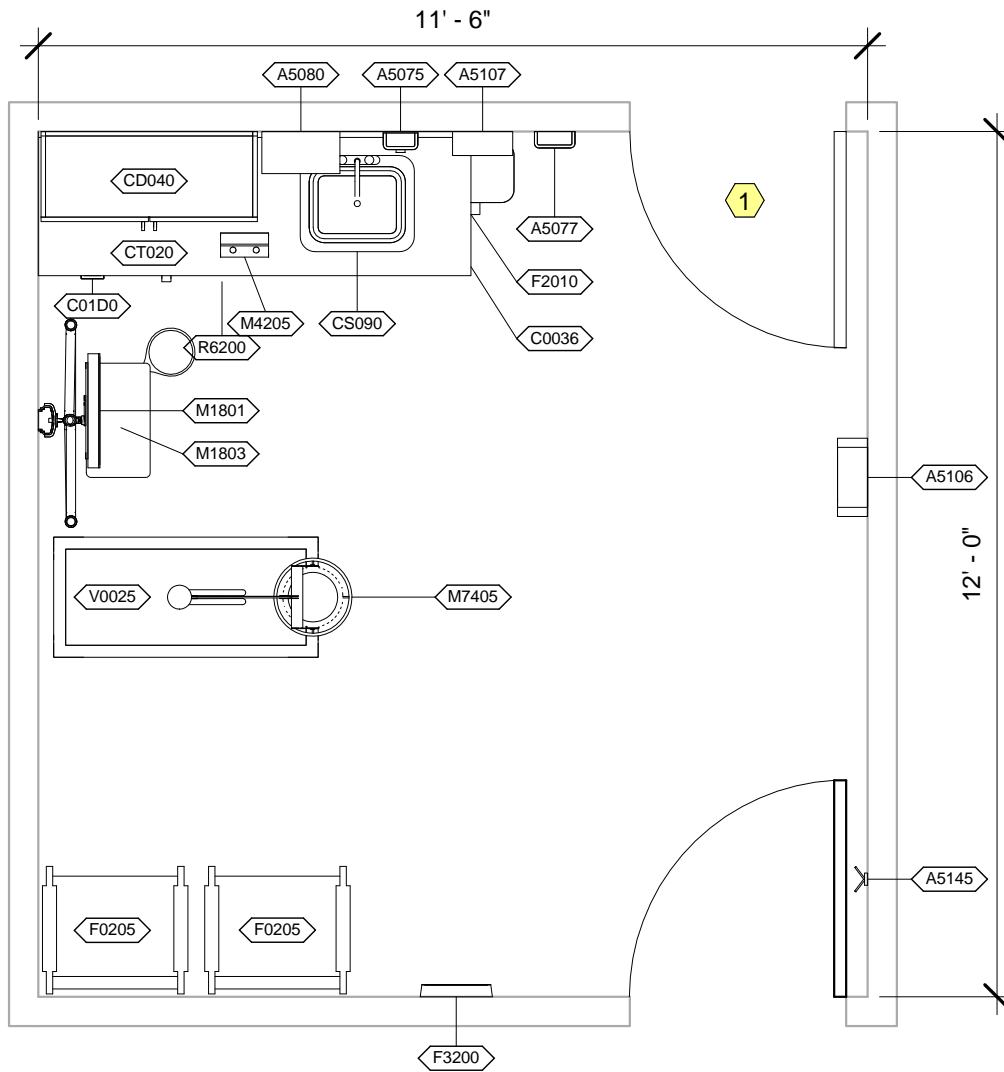
Sheet
1

of
5



VEX01 - CEILING MOUNTED EQUIPMENT PLAN

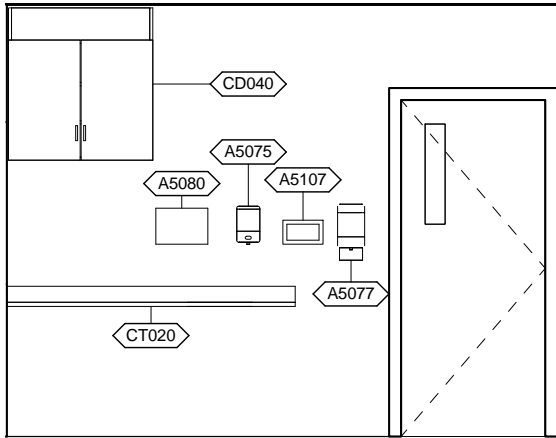
Room Description: Exam/Treatment, Veterinary (VEX01)	NSF: 140	VEX01	
Sheet Description: Ceiling Mounted Equipment Plan	Scale: 3/8" = 1'-0"	Sheet 2	of 5



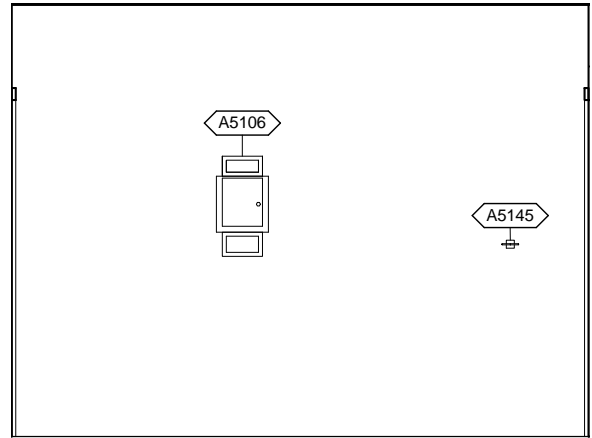
VEX01 - NOTES

- 1 Provide vision panel for staff door.

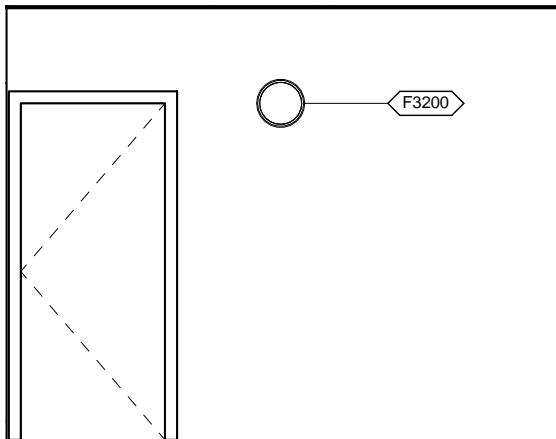
Room Description: Exam/Treatment, Veterinary (VEX01)	NSF: 140	<h1>VEX01</h1>	
Sheet Description: Equipment Plan	Scale: 3/8" = 1'-0"	Sheet <h2>3</h2>	of <h2>5</h2>



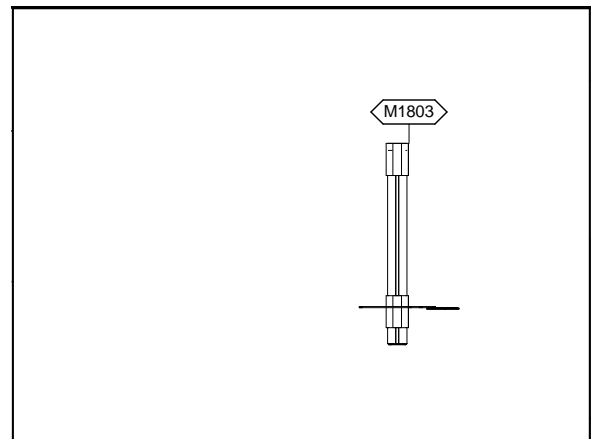
VEX01 - NORTH ELEVATION



VEX01 - EAST ELEVATION



VEX01 - SOUTH ELEVATION



VEX01 - WEST ELEVATION

Room Description: Exam/Treatment, Veterinary (VEX01)	NSF: 140	<h1>VEX01</h1>	
Sheet Description: Interior Room Elevations	Scale: 1/4" = 1'-0"	Sheet <h2>4</h2>	of <h2>5</h2>

VEX01 - EQUIPMENT SCHEDULE

JSN	Nomenclature	Qty	LF	Logistics				Utilities					
				AR	NA	AF	VA	1	2	3	4	5	6
A5075	Dispenser, Soap, Disposable	1		C	C	C	C	-	-	-	-	-	-
A5077	Dispenser, Hand Sanitizer, Hands free	1		C	C	C	C	-	-	-	-	-	-
A5080	Dispenser, Paper Towel, SS, Surface Mounted	1		A	A	A	A	-	-	-	-	-	-
A5106	Waste Disposal Unit, Sharps w/Glove Dispenser	1		C	A	C	C	-	-	-	-	-	-
A5107	Dispenser, Glove, Surgical/Examination, Wall Mntd	1		C	C	C	C	-	-	-	-	-	-
A5145	Hook, Garment, Double, SS, Surface Mounted	1		A	A	A	A	-	-	-	-	-	-
C01D0	Cabinet, U/C/B, 4 Drawer, 36x18x22	1		A	A	A	A	-	-	-	-	-	-
C0036	Rail, Apron, 4x30x1	1		A	A	A	A	-	-	-	-	-	-
CD040	Cabinet, W/H, 2 Shelf, 2 DO, Sloping Top, 38x36x13	1		A	A	A	A	-	-	-	-	-	-
CS090	Sink, SS, Single Compartment, 7.5x19x16 ID	1		A	A	A	A	D	-	-	-	-	-
CT020	Countertop, Solid Surface	1	6'-0"	A	A	A	A	-	-	-	-	-	-
F0205	Chair, Side With Arms	2		C	C	C	C	-	-	-	-	-	-
F2010	Basket, Wastepaper, Step-On	1		C	C	C	C	-	-	-	-	-	-
F3200	Clock, Battery, 12" Diameter	1		C	C	C	C	-	-	-	-	-	-
M1801	Computer, Microprocessing, w/Flat Panel Monitor	1		C	C	C	C	-	A	-	-	-	-
M1803	Workstation, Computer, Wall Mounted, Adjustable	1		C	C	C	C	-	A	-	-	-	-
M4205	Otoscope/Ophthalmoscope, Desk Charger Set	1		C	C	C	C	-	A	-	-	-	-
M7405	Light, Exam, Ceiling Mounted	1		A	A	A	A	-	F	-	-	-	-
R6200	Refrigerator, U/C or F/S, 5 Cu Ft	1		C	C	C	C	-	A	-	-	-	-
V0025	Table, Exam/Treatment, Lift w/Scale	1		C	C	C	C	-	A	-	-	-	-

Room Description: Exam/Treatment, Veterinary (VEX01)	NSF: 140	VEX01	
Sheet Description: Equipment Schedule	Scale:	Sheet 5	of 5