

Room Description: Trauma/Resuscitation, Level I/II (TRET3)

NSF: 420

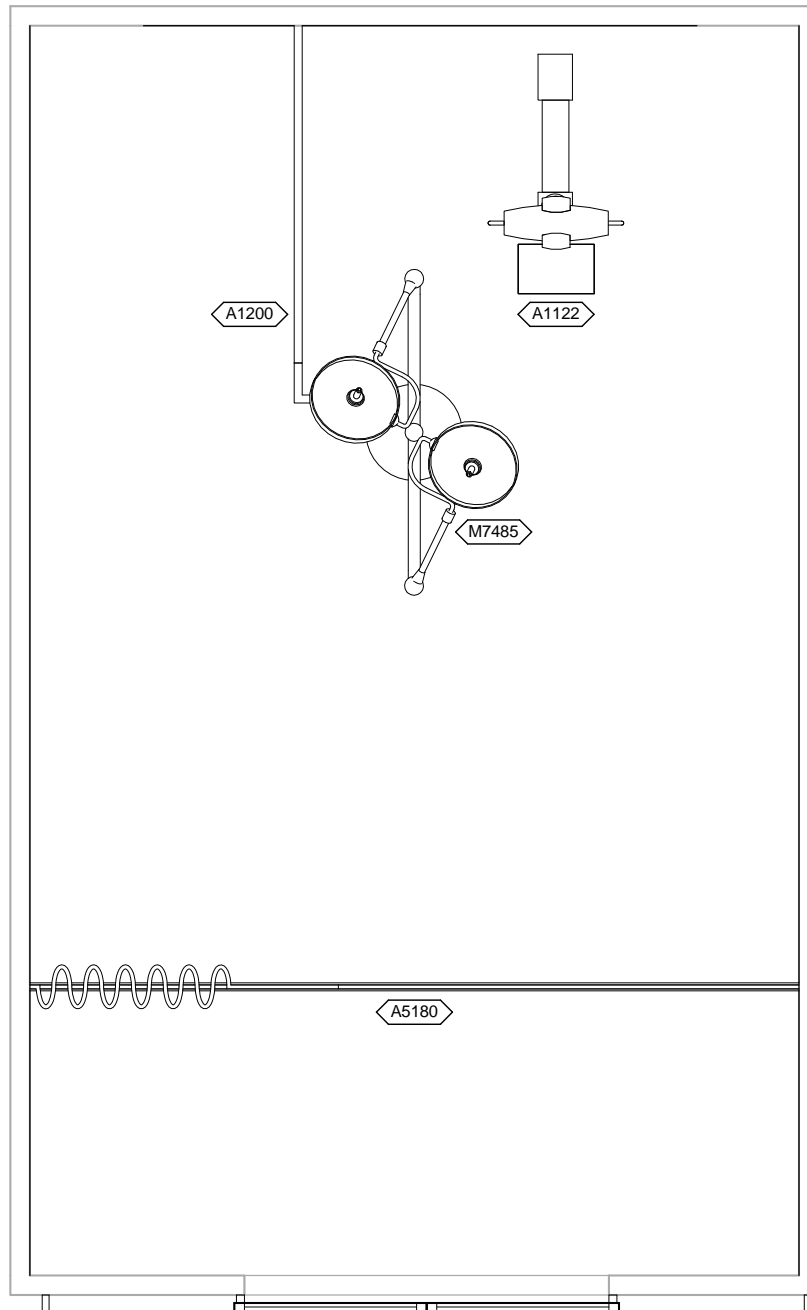
TRET3

Sheet Description: Room/Equipment Isometric

Scale:

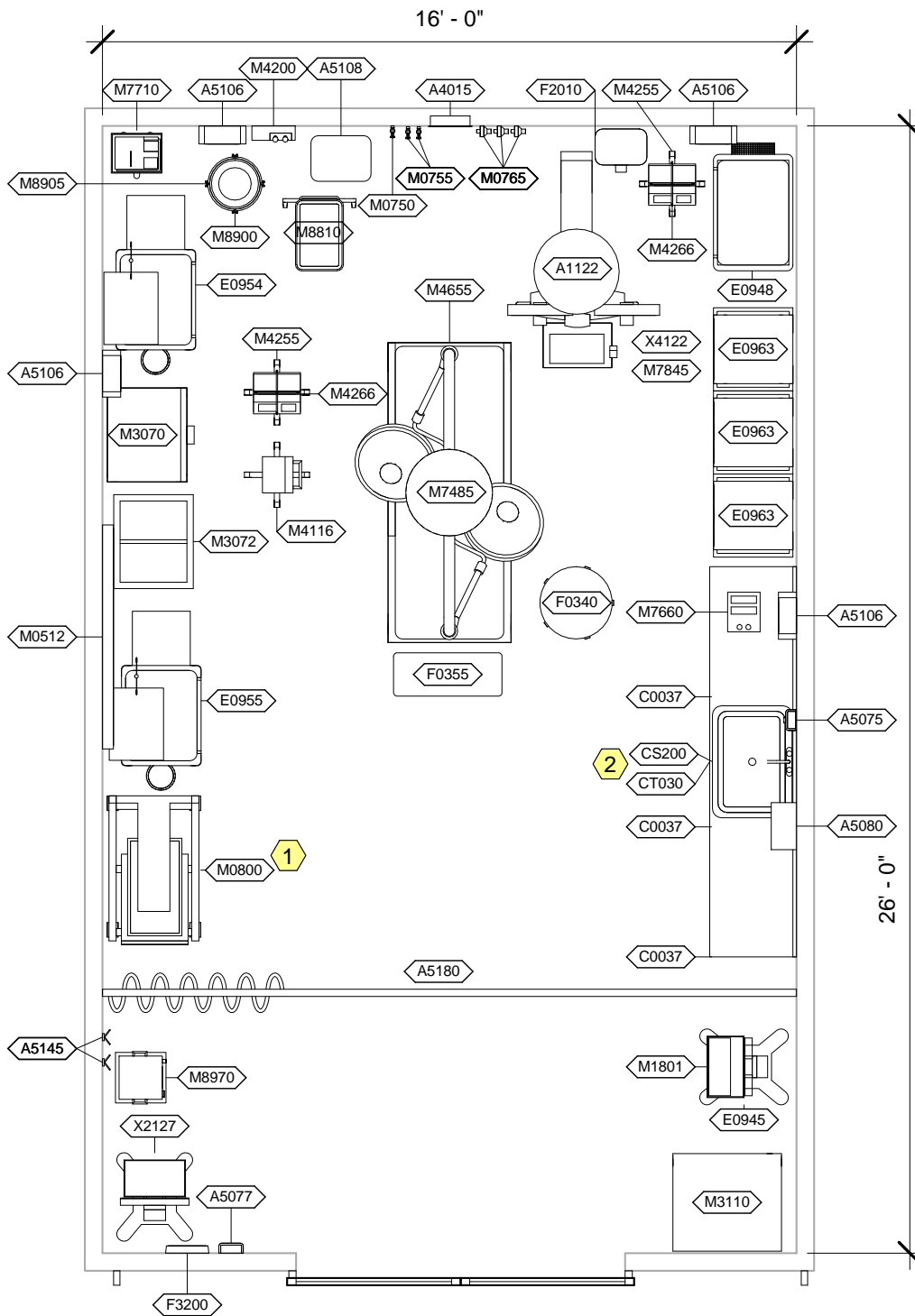
Sheet
1

of
6



TRET3 - CEILING MOUNTED EQUIPMENT PLAN

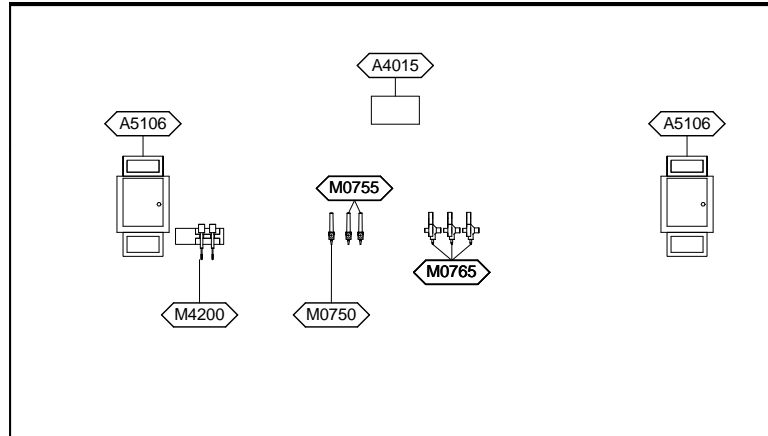
Room Description: Trauma/Resuscitation, Level I/II (TRET3)	NSF: 420	TRET3	
Sheet Description: Ceiling Mounted Equipment Plan	Scale: 1/4" = 1'-0"	Sheet 2	of 6



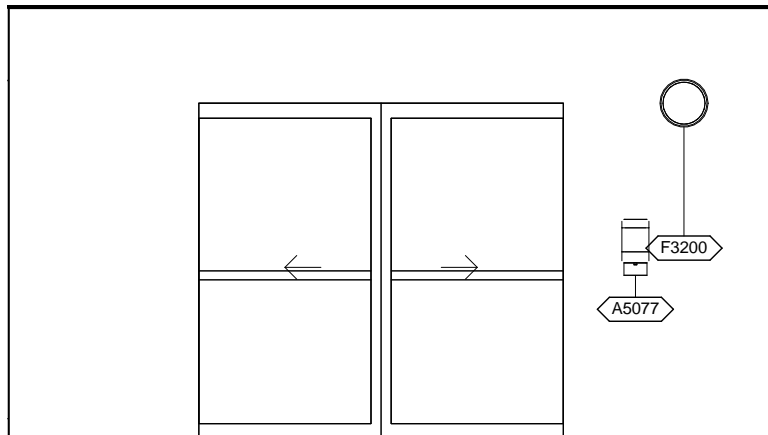
TRET3 - EQUIPMENT KEY NOTES

- 1 JSN M0800, Infant Care Center, is optional.
- 2 All cabinets shall be locking.

Room Description: Trauma/Resuscitation, Level I/II (TRET3)	NSF: 420	<h1>TRET3</h1>	
Sheet Description: Equipment Plan	Scale: 1/4" = 1'-0"	Sheet <h2>3</h2>	of <h2>6</h2>

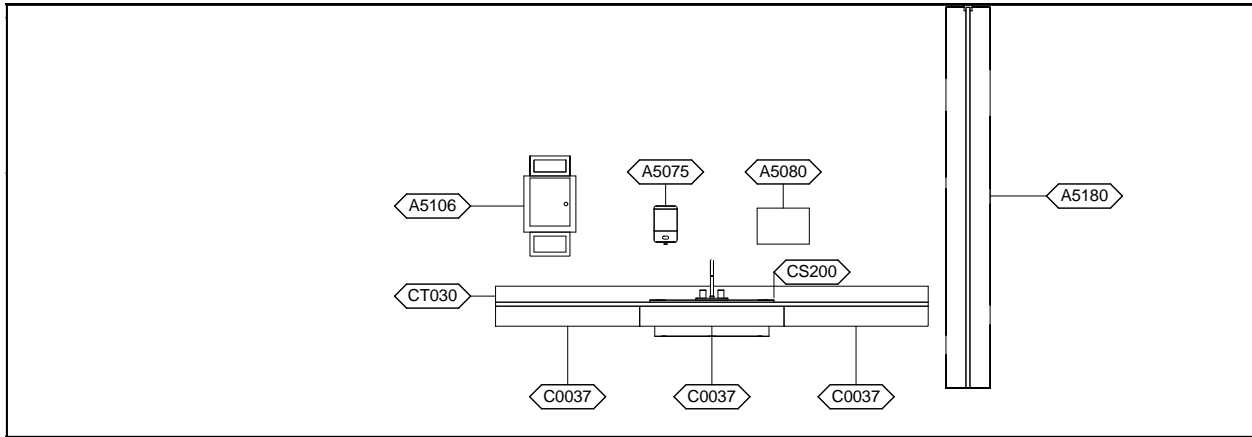


TRET3 - NORTH ELEVATION

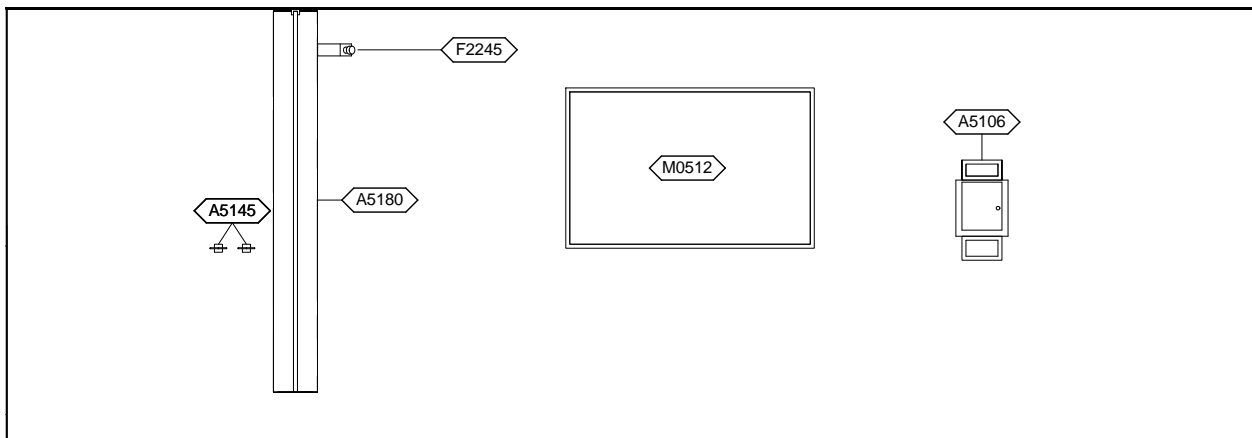


TRET3 - SOUTH ELEVATION

Room Description: Trauma/Resuscitation, Level I/II (TRET3)	NSF: 420	<h1>TRET3</h1>	
Sheet Description: Interior Room Elevations	Scale: 1/4" = 1'-0"	Sheet <h2>4</h2>	of <h2>6</h2>



TRET3 - EAST ELEVATION



TRET3 - WEST ELEVATION

Room Description: Trauma/Resuscitation, Level I/II (TRET3)	NSF: 420	<h1>TRET3</h1>	
Sheet Description: Interior Room Elevations	Scale: 1/4" = 1'-0"	Sheet <h2>5</h2>	of <h2>6</h2>

Medical Military Facilities Templates

Pub Date: 30-Jan-15

TRET3 - EQUIPMENT SCHEDULE

JSN	Nomenclature	Qty	LF	AR	Logistics			Utilities						
					NA	AF	VA	1	2	3	4	5	6	
A1122	Column, Equipment Arm, Ceiling Mounted, Surgery	1			A	A	A	A	-	F	G	-	-	-
A1200	Lift System, Overhead, Patient Room	1	8'-0"		A	A	A	A	-	F	-	-	-	J
A4015	Clock, Elapsed Time, Electric	1			A	A	A	A	-	A	-	-	-	D
A5075	Dispenser, Soap, Disposable	1			C	C	C	C	-	-	-	-	-	-
A5077	Dispenser, Hand Sanitizer, Hands free	1			C	C	C	C	-	-	-	-	-	-
A5080	Dispenser, Paper Towel, SS, Surface Mounted	1			A	A	A	A	-	-	-	-	-	-
A5106	Waste Disposal Unit, Sharps w/Glove Dispenser	4			C	A	C	C	-	-	-	-	-	-
A5108	Waste Disposal Unit, Sharps	1			C	C	C	C	-	-	-	-	-	-
A5145	Hook, Garment, Double, SS, Surface Mounted	2			A	A	A	A	-	-	-	-	-	-
A5180	Track, Cubicle, Surface Mounted, With Curtain	1	21'-0"		A	A	A	A	-	-	-	-	-	-
C0037	Rail, Apron, 4x36x1	6			A	A	A	A	-	-	-	-	-	-
CS200	Sink, SS, Single Compartment, 12x28x16 ID	1			A	A	A	A	D	-	-	-	-	-
CT030	Countertop, High Pressure Laminate	1	9'-0"		A	A	A	A	-	-	-	-	-	-
E0945	Mobile, Workstation	1			C	C	C	C	-	-	-	-	-	-
E0948	Cart, General Storage, Mobile, 42"H x 32"W x 22"D	1			C	C	C	C	-	-	-	-	-	-
E0954	Cart, Emergency, Mobile, 66"H x 52"W x 22"D	1			C	C	C	C	-	-	-	-	-	-
E0955	Cart, Emergency, Mobile, Pediatric	1			C	C	C	C	-	-	-	-	-	-
E0963	Cart, General Storage, Mobile	3			C	C	C	C	-	-	-	-	-	-
F0340	Stool, Self Adjusting	1			C	C	C	C	-	-	-	-	-	-
F0355	Footstool, Straight	1			C	C	C	C	-	-	-	-	-	-
F2010	Basket, Wastepaper, Step-On	1			C	C	C	C	-	-	-	-	-	-
F2245	Camera, HD	1			C	C	C	C	-	-	-	-	-	-
F3200	Clock, Battery, 12" Diameter	1			C	C	C	C	-	-	-	-	-	-
M0512	Television, HDTV, Large Screen, 60"	1			C	C	C	C	-	A	-	-	-	-
M0750	Flowmeter, Air, Connect w/50 PSI Supply	1			C	C	C	C	-	-	K	-	-	-
M0755	Flowmeter, Oxygen, Low Flow	2			C	C	C	C	-	-	A	-	-	-
M0765	Regulator, Vacuum	3			C	C	C	C	-	-	B	-	-	-
M0800	Center, Infant Care	1			C	C	C	C	-	A	E	-	-	-
M1801	Computer, Microprocessing, w/Flat Panel Monitor	1			C	C	C	C	-	A	-	-	-	-
M3070	Hamper, Linen, Mobile, w/Lid	1			C	C	C	C	-	-	-	-	-	-
M3072	Frame, Infectious Waste Bag w/Lid	1			C	C	C	C	-	-	-	-	-	-
M3110	Cabinet, Warming, F/S, 2 Heated Compartment, Elect	1			A	A	A	A	-	F	-	-	-	-
M4116	Monitor, Vital Signs	1			C	C	C	C	-	A	-	-	-	-
M4200	Otoscope/Ophthalmoscope, Wall Mounted	1			C	C	-	C	-	A	-	-	-	-
M4255	Stand, IV, Adjustable	2			C	C	C	C	-	-	-	-	-	-
M4266	Pump, Volumetric, Infusion, Multiple Line	4			C	C	C	C	-	A	-	-	-	-
M4655	Stretcher, Mobile, CRS, 9 Position	1			C	C	C	C	-	-	-	-	-	-
M7485	Light, Surg, Ceiling Mtd, Dual, Equal Dia Heads	1			A	A	A	A	-	F	-	-	-	-
M7660	Defibrillator/Monitor/Recorder, Portable	1			C	C	C	C	-	A	-	-	-	-
M7710	Electrocardiograph, 12 Lead, Portable	1			C	C	C	C	-	A	-	-	-	-
M7845	Monitor, Physiological, Bedside, 4 Channel	1			C	C	C	C	-	A	-	-	-	D
M8810	Stand, Mayo	1			C	C	C	C	-	-	-	-	-	-
M8900	Carriage, Pail, CRS, Without Pail	1			C	C	C	C	-	-	-	-	-	-
M8905	Pail, Utility, CRS, Without Carriage	1			C	C	C	C	-	-	-	-	-	-
M8970	Warmer, Blood, High Volume	1			C	C	C	C	-	B	-	-	-	-
X2127	Scanner, Ultrasound, Central Venus Access	1			C	C	C	C	-	A	-	-	-	-
X4122	Console, PACS, Remote View, 2k X 2k, 2 Monitors	1			F	F	F	F	-	A	-	-	-	-

Room Description: Trauma/Resuscitation, Level I/II (TRET3)	NSF: 420	TRET3	
Sheet Description: Equipment Schedule	Scale:	Sheet 6	of 6