

**Room Description:** Toilet (TLTU1)

**NSF:** 60

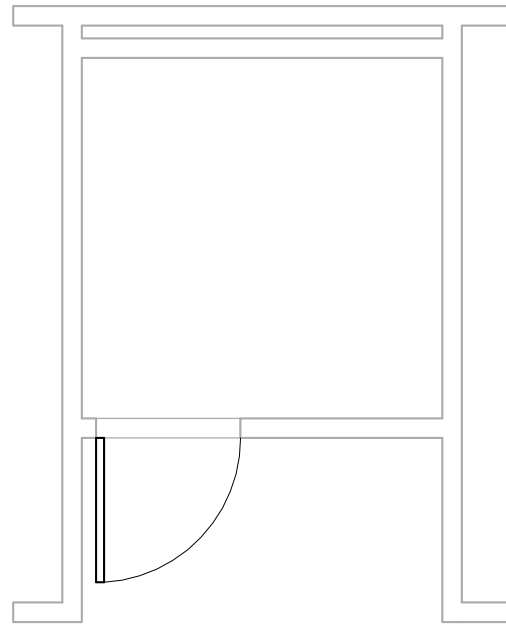
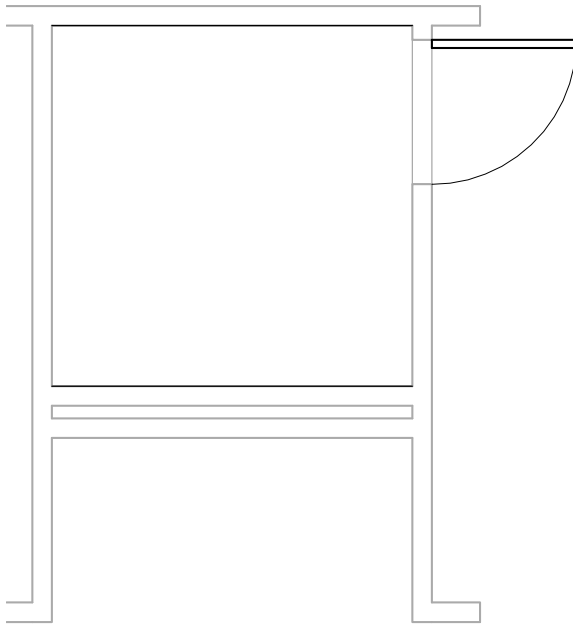
**TLTU1**

**Sheet Description:** Room/Equipment Isometric

**Scale:**

Sheet  
**1**

of  
**5**

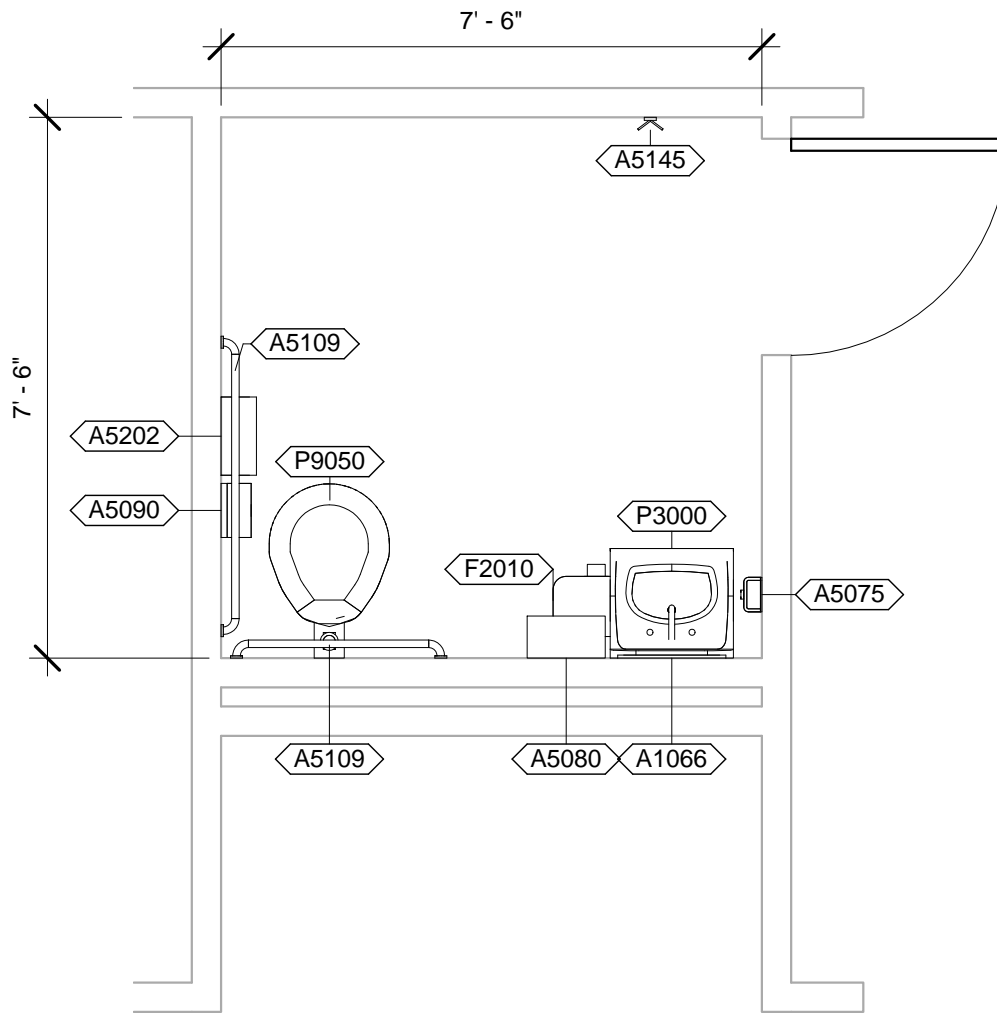


**TLTU1 - CEILING MOUNTED EQUIPMENT PLAN**

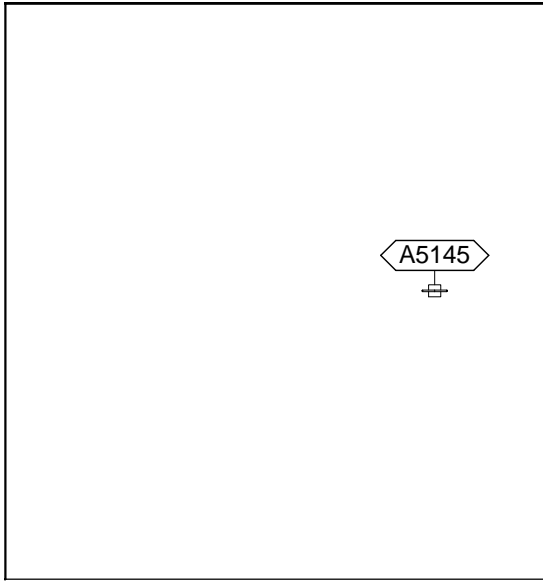
**Option A - Room Entrance**

**Option B - Corridor Entrance**

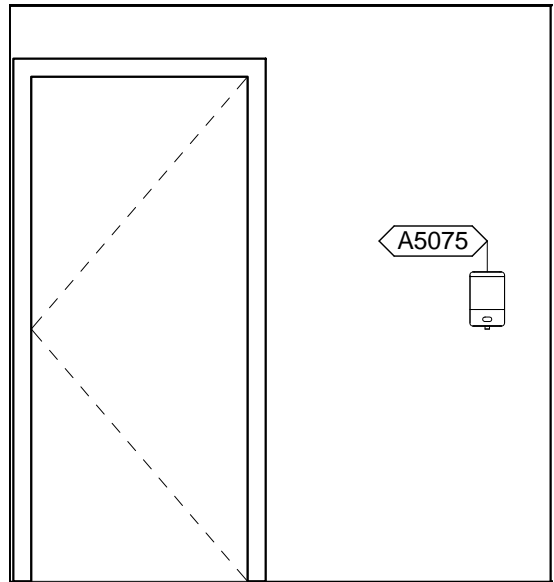
<b>Room Description:</b> Toilet (TLTU1)	<b>NSF:</b> 60	<b>TLTU1</b>	
<b>Sheet Description:</b> Ceiling Mounted Equipment Plan	<b>Scale:</b> 1/4" = 1'-0"	Sheet <b>2</b>	of <b>5</b>



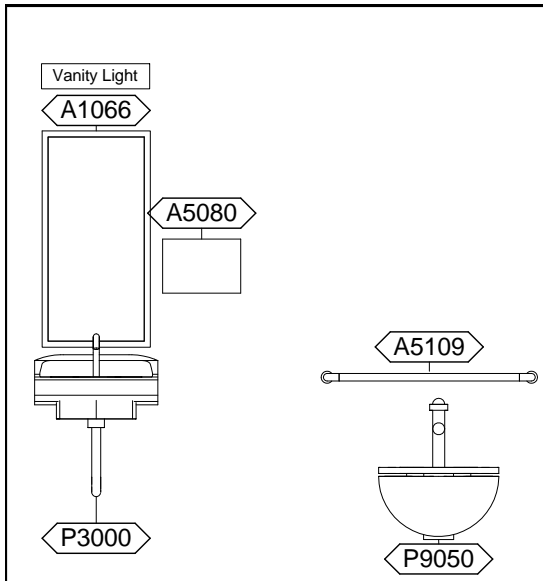
<b>Room Description:</b> Toilet (TLTU1)	<b>NSF:</b> 60	<b>TLTU1</b>	
<b>Sheet Description:</b> Equipment Plan	<b>Scale:</b> 3/8" = 1'-0"	Sheet <b>3</b>	of <b>5</b>



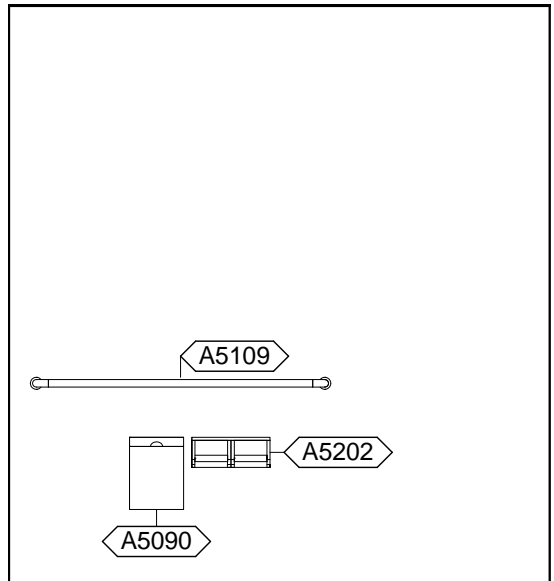
TLTU1 - NORTH ELEVATION



TLTU1 - EAST ELEVATION



TLTU1 - SOUTH ELEVATION



TLTU1 - WEST ELEVATION

<b>Room Description:</b> Toilet, Unisex (TLTU1)	<b>NSF:</b> 60	<b>TLTU1</b>	
<b>Sheet Description:</b> Interior Room Elevations	<b>Scale:</b> 3/8" = 1'-0"	Sheet <b>4</b>	of <b>5</b>

TLTU1 - EQUIPMENT SCHEDULE

JSN	Nomenclature	Qty	LF	AR	Logistics			Utilities					
					NA	AF	VA	1	2	3	4	5	6
A1066	Mirror, Float Glass, With SS Frame	1		A	A	A	A	-	-	-	-	-	-
A5075	Dispenser, Soap, Disposable	1		C	C	C	C	-	-	-	-	-	-
A5080	Dispenser, Paper Towel, SS, Surface Mounted	1		A	A	A	A	-	-	-	-	-	-
A5090	Disposal, Sanitary Napkin, SS, Surface Mounted	1		A	A	A	A	-	-	-	-	-	-
A5109	Grab Bar, 1-1/4" Dia., SS, 2 Wall, W/C Accessible	2		A	A	A	A	-	-	-	-	-	-
A5145	Hook, Garment, Double, SS, Surface Mounted	1		A	A	A	A	-	-	-	-	-	-
A5202	Dispenser, Toilet Paper w/Utility Shelf, SS, 2-Roll	1		A	A	A	A	-	-	-	-	-	-
F2010	Basket, Wastepaper, Step-On	1		C	C	C	C	-	-	-	-	-	-
P3000	Lavatory, Vitreous China, Straight Back	1		A	A	A	A	D	-	-	-	-	-
P9050	Toilet, Wall Hung, Siphon Jet	1		A	A	A	A	B	-	-	-	-	-

<b>Room Description:</b> Toilet, Unisex (TLTU1)	<b>NSF:</b> 60	<b>TLTU1</b>	
<b>Sheet Description:</b> Equipment Schedule	<b>Scale:</b>	Sheet <b>5</b>	of <b>5</b>