

Room Description: Recovery Station, Phase I (RRSS1)

NSF: 420

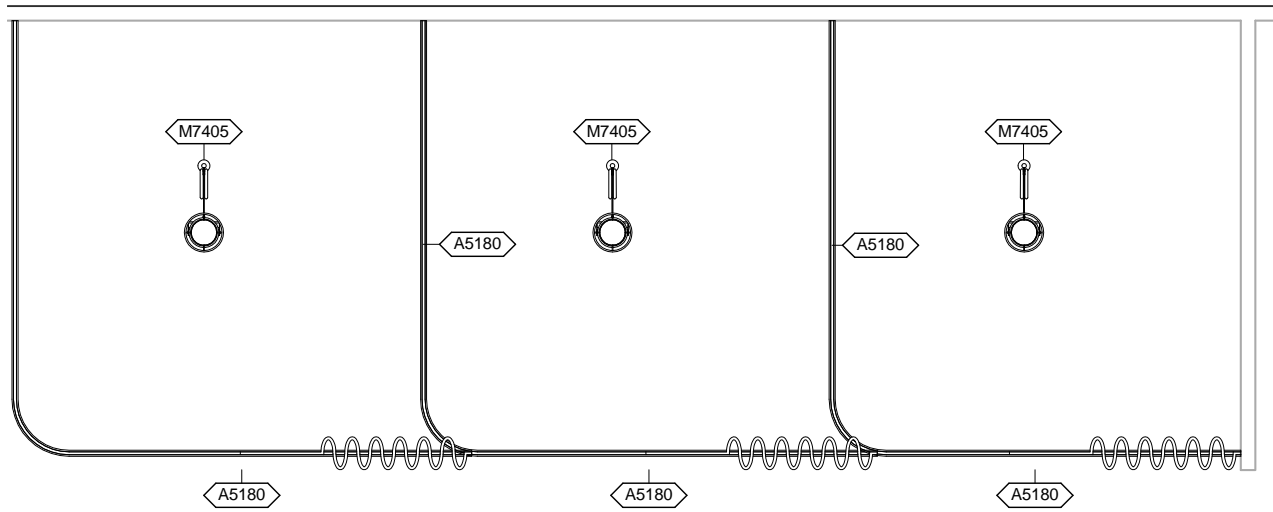
RRSS1

Sheet Description: Room/Equipment Isometric

Scale:

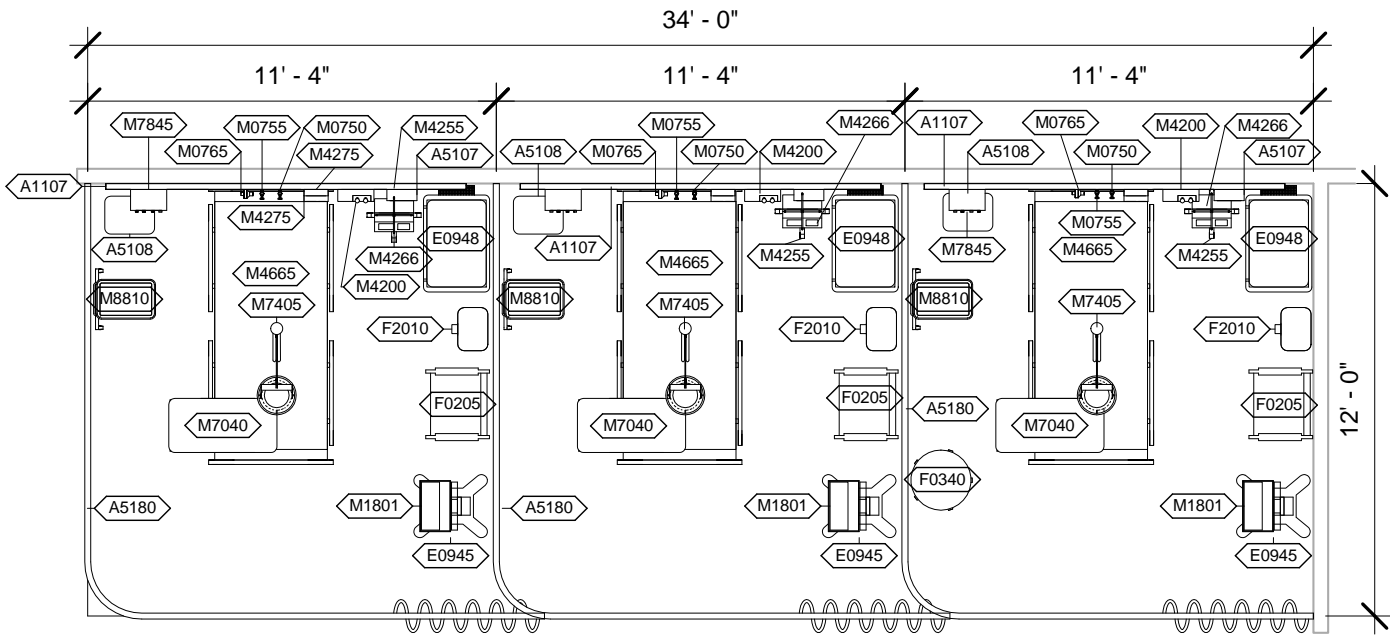
Sheet
1

of
5

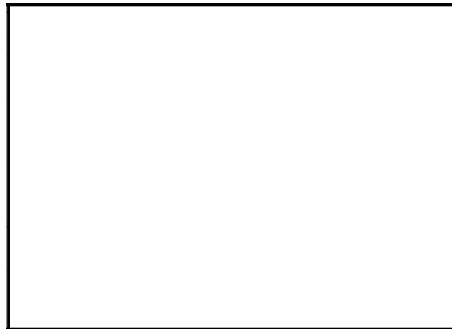


RRSS1 - CEILING MOUNTED EQUIPMENT PLAN

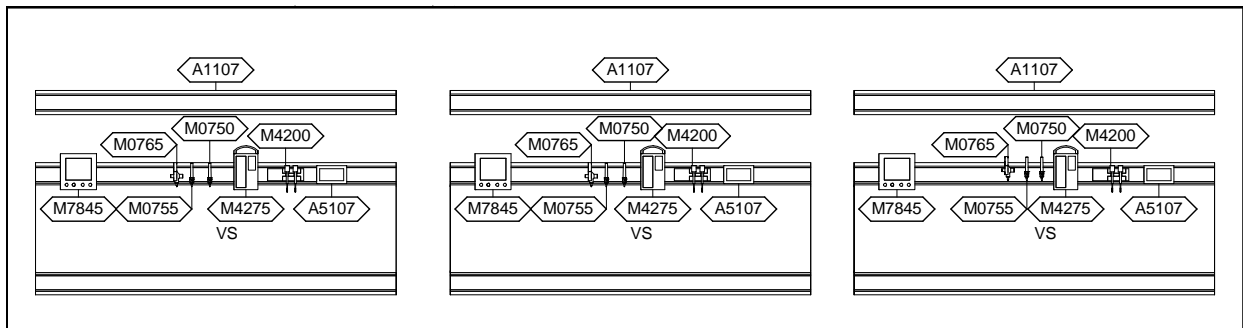
Room Description: Recovery Station, Phase I (RRSS1)	NSF: 420	RRSS1	
Sheet Description: Ceiling Mounted Equipment Plan	Scale: 3/16" = 1'-0"	Sheet 2	of 5



Room Description: Recovery Station, Phase I (RRSS1)	NSF: 420	RRSS1	
Sheet Description: Equipment Plan	Scale: 3/16" = 1'-0"	Sheet 3	of 5



RRSS1 - NORTH ELEVATION



RRSS1 - WEST ELEVATION

Room Description: Recovery Station, Phase I (RRSS1)	NSF: 420	RRSS1	
Sheet Description: Interior Room Elevations	Scale: 3/16" = 1'-0"	Sheet 4	of 5

RRSS1 - EQUIPMENT SCHEDULE

JSN	Nomenclature	Qty	LF	Logistics				Utilities					
				AR	NA	AF	VA	1	2	3	4	5	6
A1107	Rail System, Utility, Gas and Electric	3		A	A	A	A	-	F	G	-	-	A
A5075	Dispenser, Soap, Disposable	1		C	C	C	C	-	-	-	-	-	-
A5080	Dispenser, Paper Towel, SS, Surface Mounted	1		A	A	A	A	-	-	-	-	-	-
A5107	Dispenser, Glove, Surgical/Examination, Wall Mntd	3		C	C	C	C	-	-	-	-	-	-
A5108	Waste Disposal Unit, Sharps	3		C	C	C	C	-	-	-	-	-	-
A5180	Track, Cubicle, Surface Mounted, With Curtain	3	24'-0"	A	A	A	A	-	-	-	-	-	-
E0945	Mobile, Workstation	3		C	C	C	C	-	-	-	-	-	-
E0948	Cart, General Storage, Mobile, 42"H x 32"W x 22"D	3		C	C	C	C	-	-	-	-	-	-
F0205	Chair, Side With Arms	3		C	C	C	C	-	-	-	-	-	-
F0340	Stool, Self Adjusting	1		C	C	C	C	-	-	-	-	-	-
F2010	Basket, Wastepaper, Step-On	4		C	C	C	C	-	-	-	-	-	-
F2020	Can, Trash, 44 Gallon	1		C	C	C	C	-	-	-	-	-	-
F3200	Clock, Battery, 12" Diameter	1		C	C	C	C	-	-	-	-	-	-
M0750	Flowmeter, Air, Connect w/50 PSI Supply	3		C	C	C	C	-	-	K	-	-	-
M0755	Flowmeter, Oxygen, Low Flow	3		C	C	C	C	-	-	A	-	-	-
M0765	Regulator, Vacuum	3		C	C	C	C	-	-	B	-	-	-
M1801	Computer, Microprocessing, w/Flat Panel Monitor	3		C	C	C	C	-	A	-	-	-	-
M3070	Hamper, Linen, Mobile, w/Lid	1		C	C	C	C	-	-	-	-	-	-
M3072	Frame, Infectious Waste Bag w/Lid	1		C	C	C	C	-	-	-	-	-	-
M3110	Cabinet, Warming, F/S, 2 Heated Compartment, Elect	1		A	A	A	A	-	f	-	-	-	-
M4200	Otoscope/Ophthalmoscope, Wall Mounted	3		C	C	-	C	-	A	-	-	-	-
M4255	Stand, IV, Adjustable	3		C	C	C	C	-	-	-	-	-	-
M4266	Pump, Volumetric, Infusion, Multiple Line	3		C	C	C	C	-	A	-	-	-	-
M4275	Pump, Continuous, Analgesia (PCA)	3		C	C	C	C	-	A	-	-	-	-
M4665	Stretcher, Recovery, Surgical	3		C	C	C	C	-	-	-	-	-	-
M7040	Table, Overbed	3		C	C	C	C	-	-	-	-	-	-
M7405	Light, Exam, Ceiling Mounted	3		A	A	A	A	-	F	-	-	-	-
M7845	Monitor, Physiological, Bedside, 4 Channel	3		C	C	C	C	-	A	-	-	-	D
M8810	Stand, Mayo	3		C	C	C	C	-	-	-	-	-	-
P3100	Lavatory, Vitreous China, Slab Type	1		A	A	A	A	D	-	-	-	-	-

Room Description: Recovery Station, Phase I (RRSS1)	NSF: 420	RRSS1	
Sheet Description: Equipment Schedule	Scale:	Sheet 5	of 5