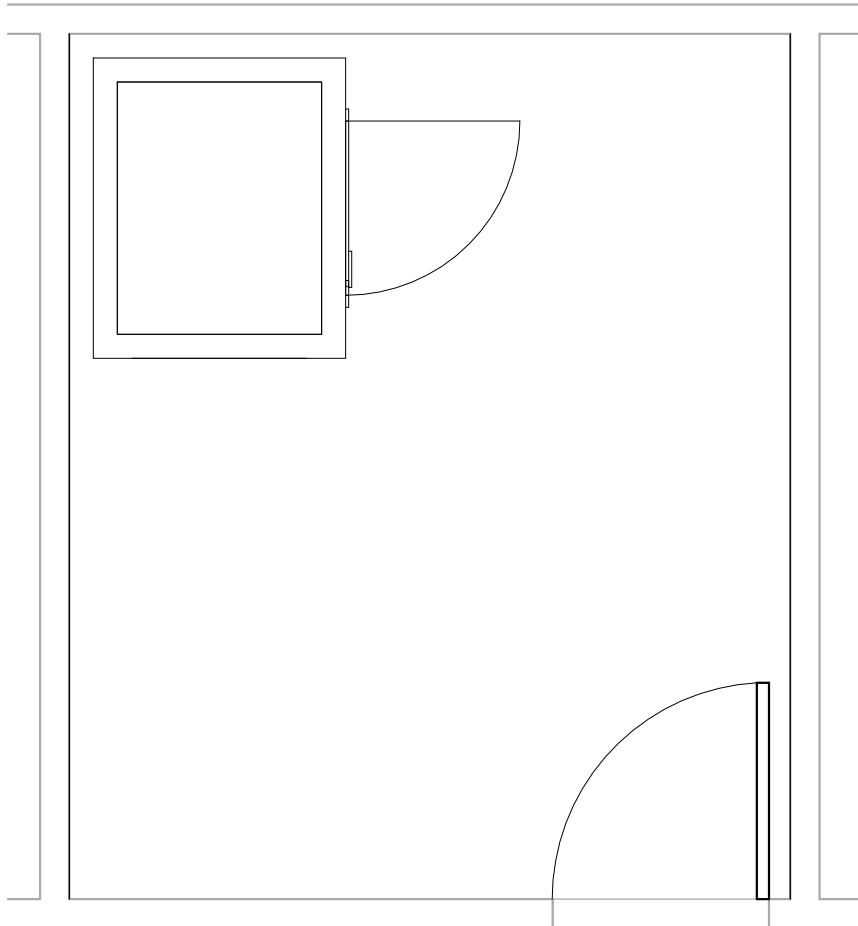
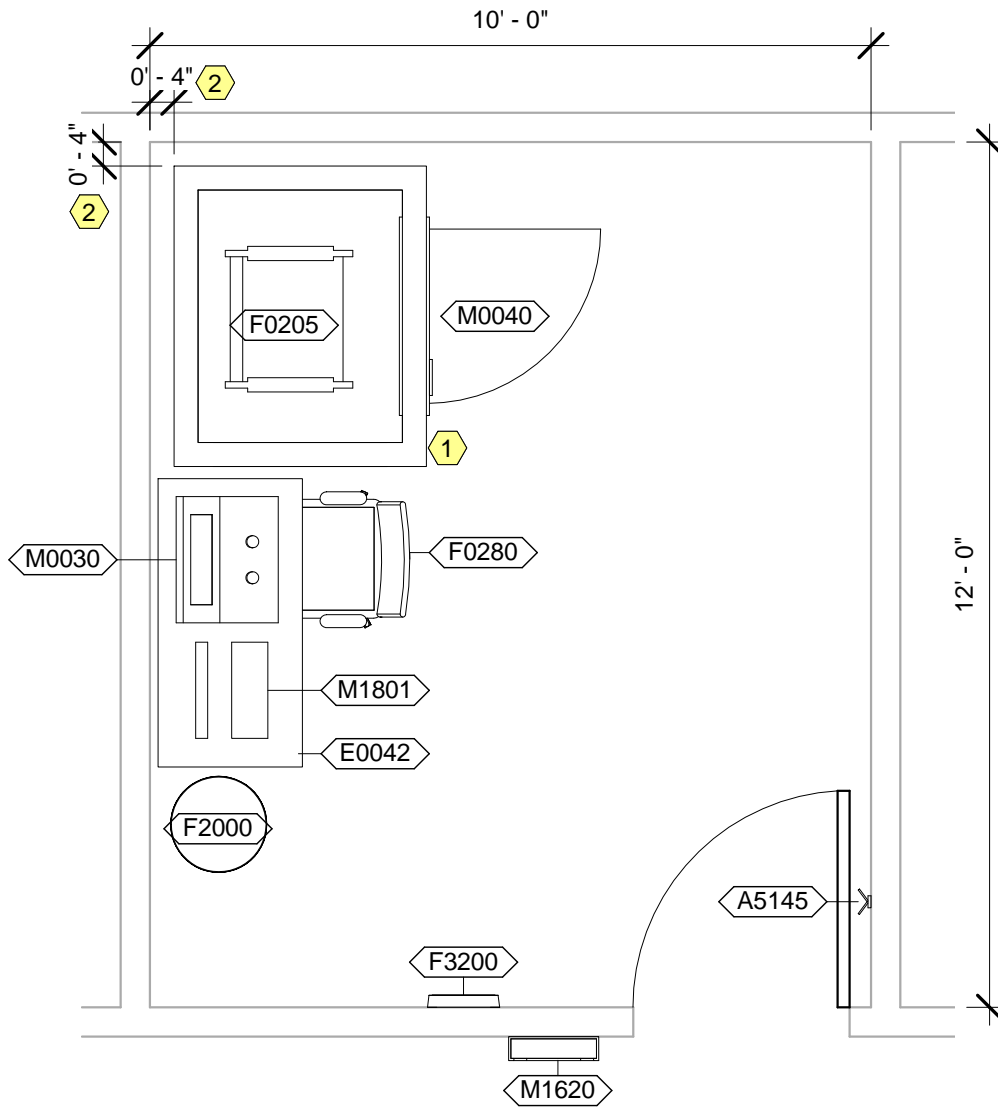


<b>Room Description:</b> Hearing/Screening Booth, 1 Person (PEHS1)	<b>NSF:</b> 120	<b>PEHS1</b>	
<b>Sheet Description:</b> Room/Equipment Isometric	<b>Scale:</b>	Sheet <b>1</b>	of <b>5</b>



**PEHS1 - CEILING MOUNTED EQUIPMENT PLAN**

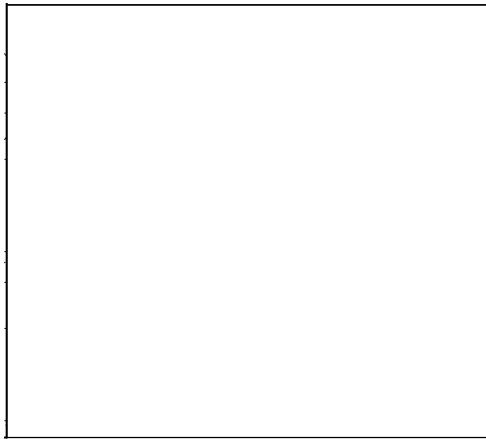
<b>Room Description:</b> Hearing/Screening Booth, 1 Person (PEHS1)	<b>NSF:</b> 120	<b>PEHS1</b>	
<b>Sheet Description:</b> Ceiling Mounted Equipment Plan	<b>Scale:</b> 3/8" = 1'-0"	Sheet <b>2</b>	of <b>5</b>



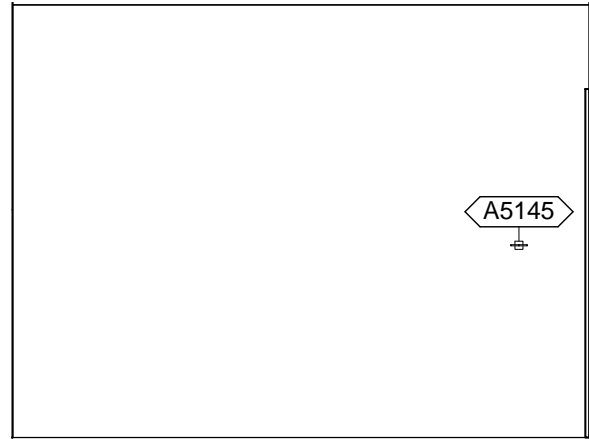
PEHS1 - NOTES

- 1 Slab shall be recessed at the audio booth location in order to comply with ABA. Provide ABA compliant approach to testing booth where slab cannot be recessed.
- 2 Coordinate with manufacturer's venting and ceiling requirements for the M0040, Audio Booth.

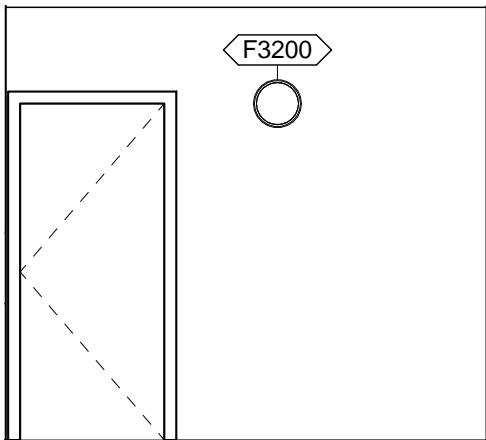
<b>Room Description:</b> Hearing/Screening Booth, 1 Person (PEHS1)	<b>NSF:</b> 120	<b>PEHS1</b>	
<b>Sheet Description:</b> Equipment Plan	<b>Scale:</b> 3/8" = 1'-0"	Sheet <b>3</b>	of <b>5</b>



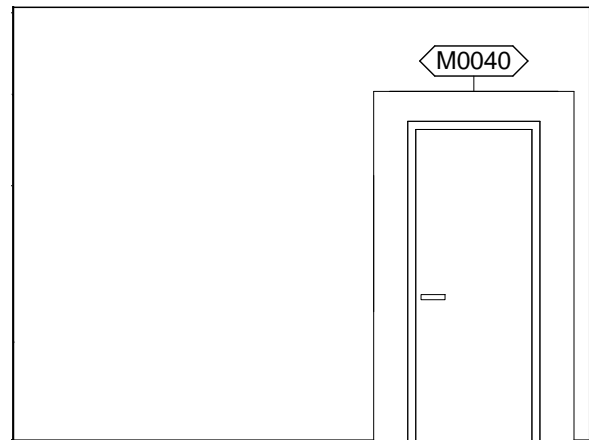
PEHS1 - NORTH ELEVATION



PEHS1 - EAST ELEVATION



PEHS1 - SOUTH ELEVATION



PEHS1 - WEST ELEVATION

<b>Room Description:</b> Hearing/Screening Booth, 1 Person (PEHS1)	<b>NSF:</b> 120	<b>PEHS1</b>	
<b>Sheet Description:</b> Interior Room Elevations	<b>Scale:</b> 1/4" = 1'-0"	Sheet <b>4</b>	of <b>5</b>

PEHS1 - EQUIPMENT SCHEDULE

JSN	Nomenclature	Qty	LF	AR	Logistics			Utilities					
					NA	AF	VA	1	2	3	4	5	6
E0042	Workcenter, Computer, Free Standing, 48" W	1		C	C	C	C	-	-	-	-	-	-
F0205	Chair, Side With Arms	1		C	C	C	C	-	-	-	-	-	-
F0280	Chair, Swivel, Low Back	1		C	C	C	C	-	-	-	-	-	-
F2000	Basket, Wastepaper, Round, Metal	1		C	C	C	C	-	-	-	-	-	-
F3200	Clock, Battery, 12" Diameter	1		C	C	C	C	-	-	-	-	-	-
M0030	Audiometer, Diagnostic	1		C	C	C	C	-	A	-	-	-	-
M0040	Booth, Audio, Single Wall, 1 Person	1		A	A	A	A	-	F	-	-	-	F
M1620	Holder, Chart, Patient, Wall or Door Mounted	1		A	A	A	A	-	-	-	-	-	-
M1801	Computer, Microprocessing, w/Flat Panel Monitor	1		C	C	C	C	-	A	-	-	-	-

<b>Room Description:</b> Hearing/Screening Booth, 1 Person (PEHS1)	<b>NSF:</b> 120	<b>PEHS1</b>	
<b>Sheet Description:</b> Equipment Schedule	<b>Scale:</b>	Sheet <b>5</b>	of <b>5</b>