

**Room Description:** Operating Room, Cystoscopy (ORCS1)

**NSF:** 660 SF

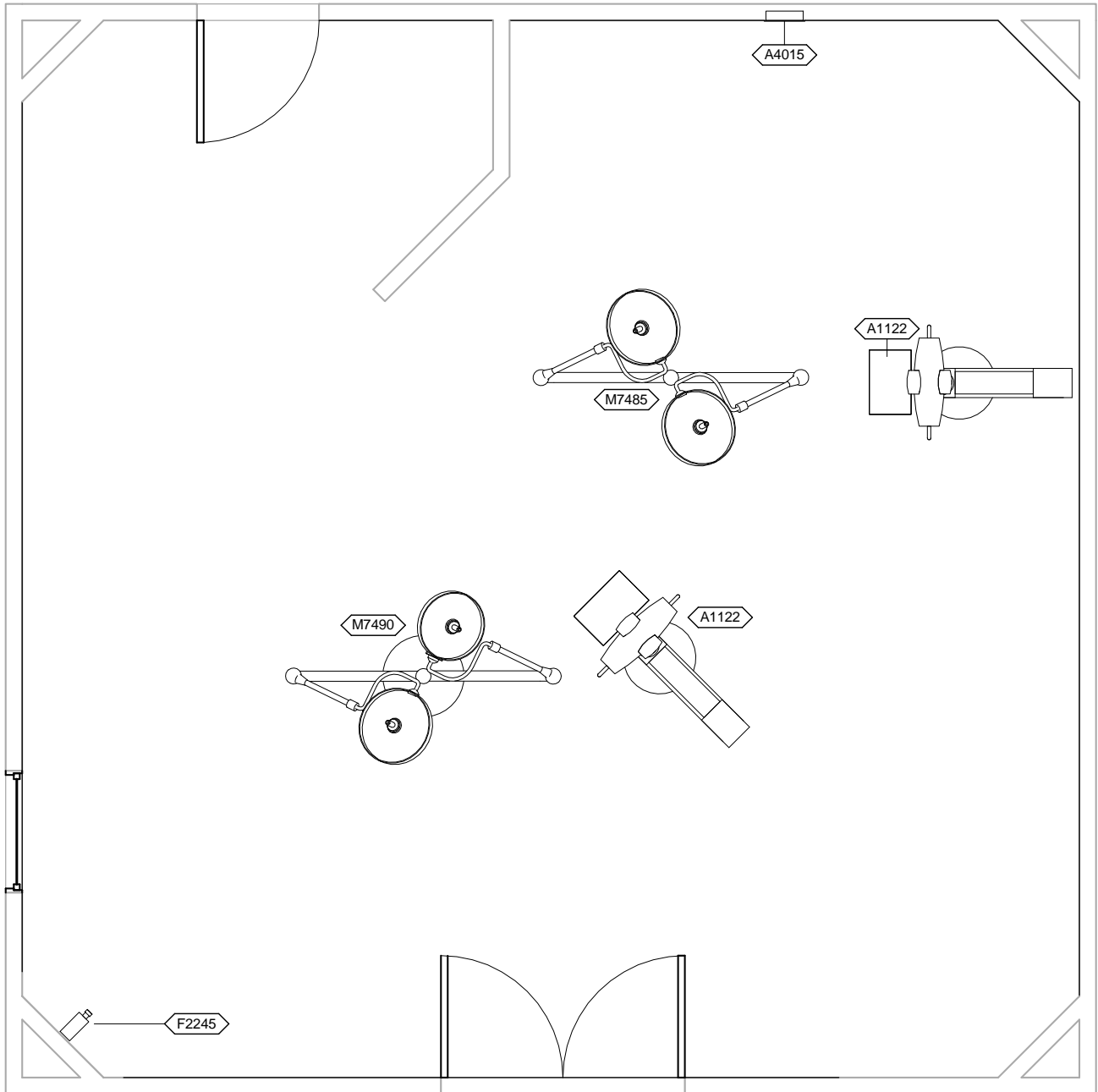
**ORCS1**

**Sheet Description:** Room/Equipment Isometric

**Scale:**

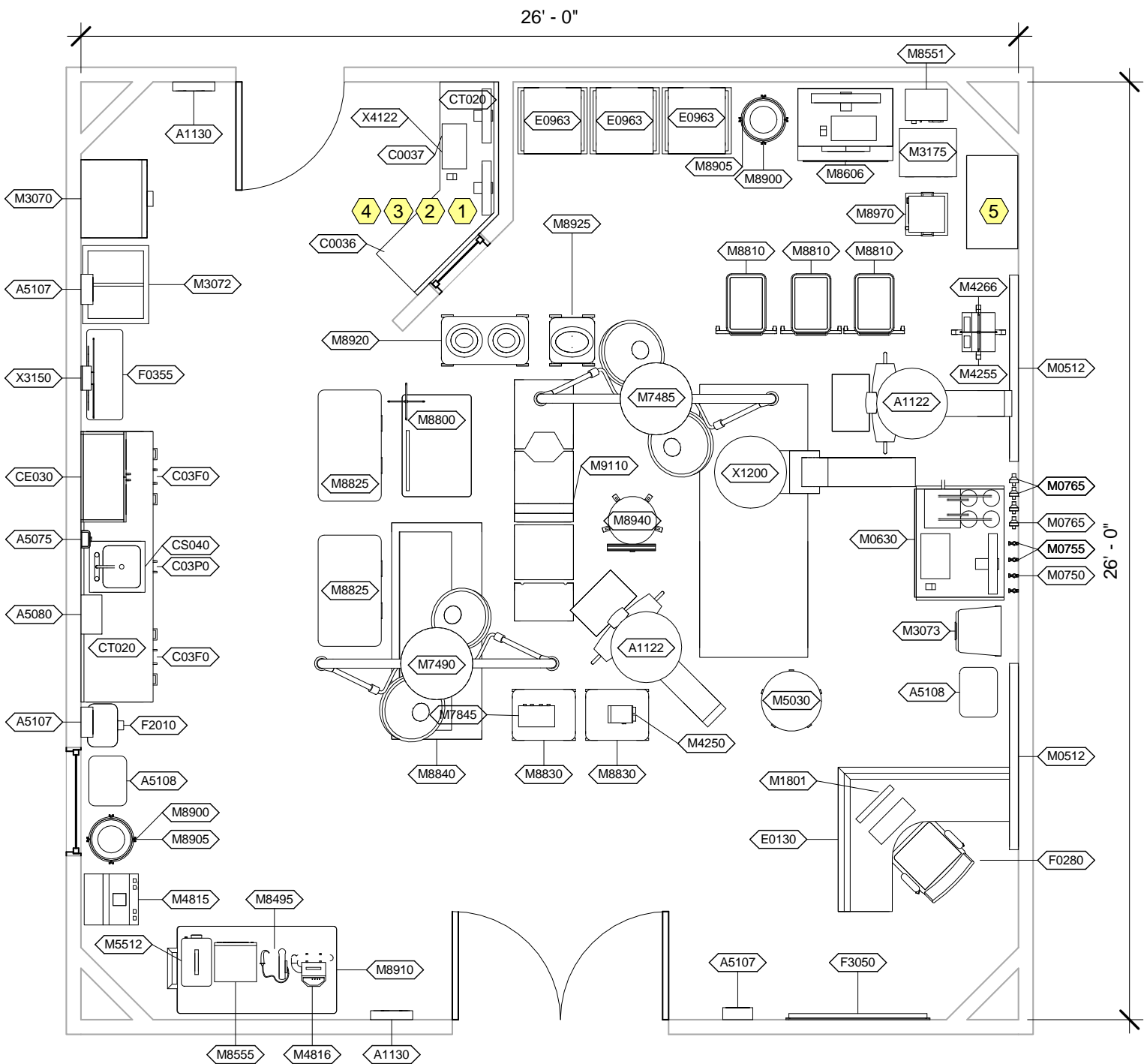
Sheet  
**1**

of  
**7**



ORCS1- CEILING MOUNTED EQUIPMENT PLAN

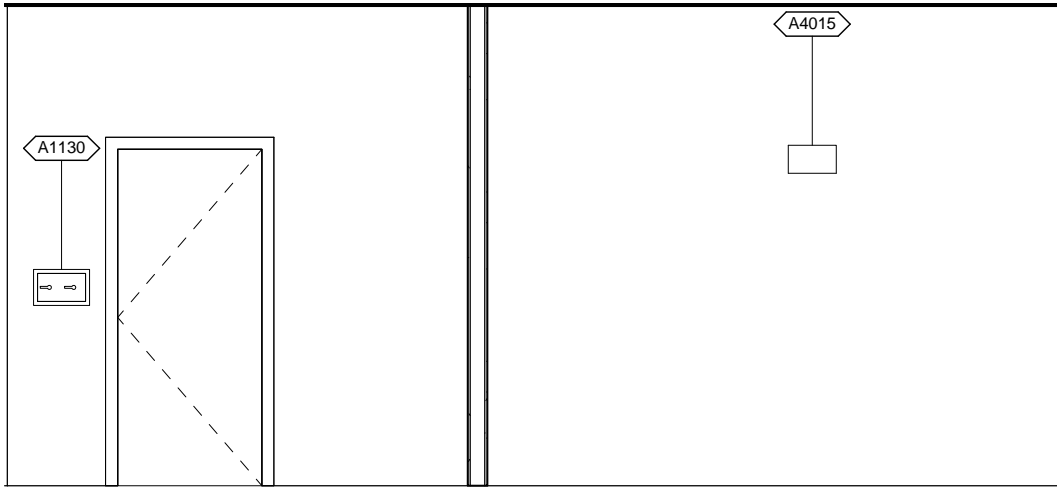
<b>Room Description:</b> Operating Room, Cystoscopy (ORCS1)	<b>NSF:</b> 660 SF	<b>ORCS1</b>	
<b>Sheet Description:</b> Ceiling Mounted Equipment Plan	<b>Scale:</b> 1/4" = 1'-0"	Sheet <b>2</b>	of <b>7</b>



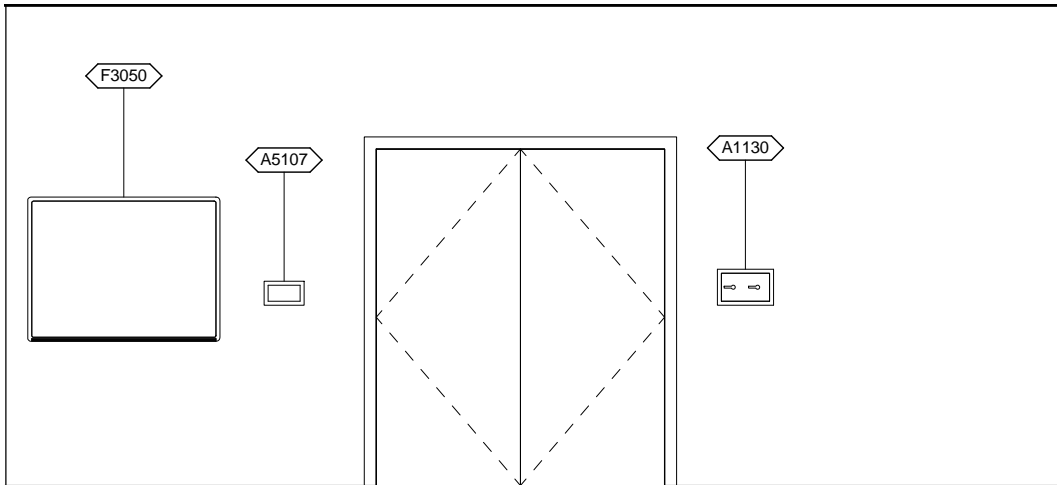
ORCS1 - EQUIPMENT KEY NOTES

- 1 X-Ray Remote Control Unit
- 2 Lead Glass View Window per Note "1" Above.
- 3 Control panel for JSN X1200, Lithotripter, Extracorporeal.
- 4 Workstation for JSN X1200, Lithotripter, Extracorporeal.
- 5 Generator for JSN X1200, Lithotripter, Extracorporeal.

<b>Room Description:</b> Operating Room, Cystoscopy (ORCS1)	<b>NSF:</b> 660 SF	<b>ORCS1</b>	
<b>Sheet Description:</b> Equipment Plan	<b>Scale:</b> 1/4" = 1'-0"	Sheet <span style="font-size: 24pt;">3</span>	of <span style="font-size: 24pt;">7</span>

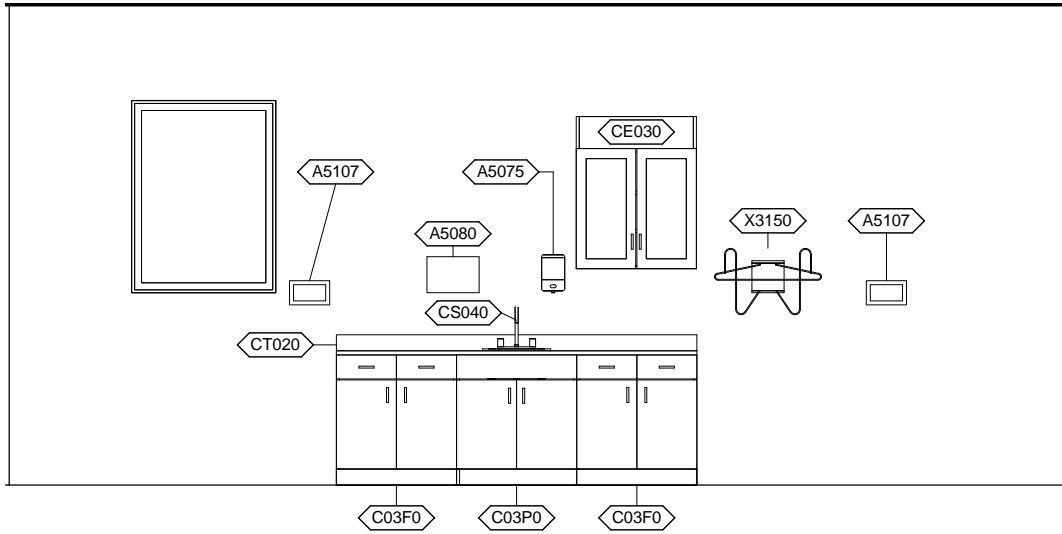


ORCS1 - NORTH ELEVATION

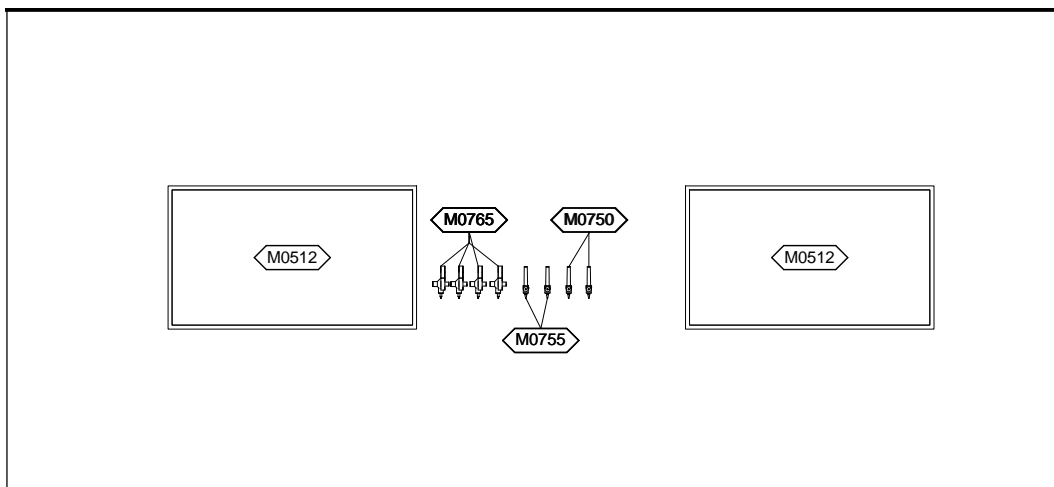


ORCS1 - SOUTH ELEVATION

<b>Room Description:</b> Operating Room, Cystoscopy (ORCS1)	<b>NSF:</b> 660 SF	<b>ORCS1</b>	
<b>Sheet Description:</b> Interior Room Elevations	<b>Scale:</b> 1/4" = 1'-0"	Sheet <b>4</b>	of <b>7</b>



ORCS1 - EAST ELEVATION



ORCS1 - WEST ELEVATION

<b>Room Description:</b> Operating Room, Cystoscopy (ORCS1)	<b>NSF:</b> 660 SF	<h1>ORCS1</h1>	
<b>Sheet Description:</b> Interior Room Elevations	<b>Scale:</b> 1/4" = 1'-0"	Sheet <h2>5</h2>	of <h2>7</h2>

ORCS1 - EQUIPMENT SCHEDULE 1 of 2

JSN	Nomenclature	Qty	LF	Logistics						Utilities					
				AR	NA	AF	VA	1	2	3	4	5	6		
A1122	Column, Equipment Arm, Ceiling Mounted, Surgery	2		A	A	A	A	-	F	G	-	-	-		
A1130	Cabinet, Control, Nitrogen	2		A	A	-	-	-	B	-	-	-	-		
A4015	Clock, Elapsed Time, Electric	1		A	A	-	-	-	A	-	-	-	D		
A5075	Dispenser, Soap, Disposable	1		C	C	C	C	-	-	-	-	-	-		
A5080	Dispenser, Paper Towel, SS, Surface Mounted	1		A	A	A	A	-	-	-	-	-	-		
A5107	Dispenser, Glove, Surgical/Examination, Wall Mntd	3		C	C	C	C	-	-	-	-	-	-		
A5108	Waste Disposal Unit, Sharps	2		C	C	C	C	-	-	-	-	-	-		
C03F0	Cabinet, U/C/B, 1 Shelf, 2 Half DR, 2 DO, 36x30x22	2		A	A	A	A	-	-	-	-	-	-		
C03P0	Cabinet, Sink, U/C/B, 2 Door, 30" W	1		A	A	A	A	-	-	-	-	-	-		
C0036	Rail, Apron, 4x30x1	2		A	A	A	A	-	-	-	-	-	-		
C0037	Rail, Apron, 4x36x1	2		A	A	A	A	-	-	-	-	-	-		
CE030	Cabinet, W/H, 2 SH, 2 GDO, Sloping Top, 38x30x13	1		A	A	A	A	-	-	-	-	-	-		
CS040	Sink, SS, Single Compartment, 7.5x14x14 ID	1		A	A	A	A	D	-	-	-	-	-		
CT020	Countertop, Solid Surface	1	8'-0"	A	A	A	A	-	-	-	-	-	-		
CT020	Countertop, Solid Surface	1	6'-0"	A	A	A	A	-	-	-	-	-	-		
E0130	Workstation, Documentation, OR, L-Shaped	1		C	C	-	-	-	A	-	-	-	-		
E0963	Cart, General Storage, Mobile	3		C	C	C	C	-	-	-	-	-	-		
F0280	Chair, Swivel, Low Back	1		C	C	-	-	-	-	-	-	-	-		
F0355	Footstool, Straight	4		C	C	C	C	-	-	-	-	-	-		
F2010	Basket, Wastepaper, Step-On	1		C	C	C	C	-	-	-	-	-	-		
F2245	Camera, Video Surveillance, HD, IP Powered	1		C	C	-	-	-	A	-	-	-	-		
F3050	Whiteboard, Dry Erase	1		A	A	-	-	-	-	-	-	-	-		
M0512	Television, HDTV, Large Screen, 60"	2		C	C	C	C	-	A	-	-	-	-		
M0630	Anesthesia Apparatus, 3 Gas	1		C	C	C	C	-	A	G	C	-	-		
M0750	Flowmeter, Air, Connect w/50 PSI Supply	2		C	C	C	C	-	-	K	-	-	-		
M0755	Flowmeter, Oxygen, Low Flow	2		C	C	C	C	-	-	A	-	-	-		
M0765	Regulator, Vacuum	4		C	C	C	C	-	-	B	-	-	-		
M1801	Computer, Microprocessing, w/Flat Panel Monitor	1		C	C	C	C	-	A	-	-	-	-		
M3070	Hamper, Linen, Mobile, w/Lid	1		C	C	C	C	-	-	-	-	-	-		
M3072	Frame, Infectious Waste Bag w/Lid	1		C	C	C	C	-	-	-	-	-	-		
M3073	Container, Biohazard Waste, Step-on, Fire Safe	1		C	C	C	C	-	-	-	-	-	-		
M3175	Electrosurgical Unit, Dual Output	1		C	C	C	C	-	A	-	-	-	-		

<b>Room Description:</b> Operating Room, Cystoscopy (ORCS1)	<b>NSF:</b> 660 SF	<b>ORCS1</b>	
<b>Sheet Description:</b> Equipment Schedule	<b>Scale:</b>	Sheet <b>6</b>	of <b>7</b>

ORCS1 - EQUIPMENT SCHEDULE 2 of 2

JSN	Nomenclature	Qty	LF	AR	Logistics			Utilities					
					NA	AF	VA	1	2	3	4	5	6
M4250	Pump, Syringe, Infusion	1		C	C	-	-	-	A	-	-	-	-
M4255	Stand, IV, Adjustable	1		C	C	C	C	-	-	-	-	-	-
M4266	Pump, Volumetric, Infusion, Multiple Line	1		C	C	C	C	-	A	-	-	-	-
M4815	Hypo/Hyperthermia Unit, Automatic/Manual, Mobile	1		C	C	-	-	-	A	-	-	-	-
M4816	Warming Unit, Patient, Automatic Manual, Air	1		C	C	-	-	-	A	-	-	-	-
M5030	Stool, Surgeon, Revolving	1		C	C	C	C	-	-	-	-	-	-
M5512	Laser, Smoke Evacuator	1		C	C	-	-	-	A	-	-	-	-
M7485	Light, Surg, Ceiling Mtd, Dual, Equal Dia Heads	1		A	A	A	A	-	F	-	-	-	-
M7490	Light, Surg, Ceiling Mtd, Dual, Unequal Dia Heads	1		A	A	-	-	-	F	-	-	-	-
M7845	Monitor, Physiological, Bedside, 4 Channel	1		C	C	C	C	-	A	-	-	-	D
M8495	Laryngoscope, Video Glidescope	1		C	C	-	-	-	-	-	-	-	-
M8551	Light Source, Fiberoptic Headlamp	1		C	C	C	C	-	A	-	-	-	-
M8555	Insufflator, Automatic Controls	1		C	C	-	-	-	A	-	E	-	-
M8606	Endoscopy Cart, Fiberoptic, w/Video Accessories	1		C	C	C	C	-	A	-	E	-	-
M8800	Cart, Anesthesia	1		C	C	C	C	-	-	-	-	-	-
M8810	Stand, Mayo	3		C	C	C	C	-	-	-	-	-	-
M8825	Table, Instrument/Dressing, CRS, approx. 36x20x34	2		C	C	C	C	-	-	-	-	-	-
M8830	Table, Instrument/Dressing, Mobile	2		C	C	-	-	-	-	-	-	-	-
M8840	Table, Back, Instrument/Dressing	1		C	C	-	-	-	-	-	-	-	-
M8900	Carriage, Pail, CRS, Without Pail	2		C	C	C	C	-	-	-	-	-	-
M8905	Pail, Utility, CRS, Without Carriage	2		C	C	C	C	-	-	-	-	-	-
M8910	Cart, Surgical Case	1		C	C	-	-	-	-	-	-	-	-
M8920	Stand, Basin, CRS, Mobile, Double	1		C	C	-	-	-	-	-	-	-	-
M8925	Stand, Basin, CRS, Mobile, Single	1		C	C	-	-	-	-	-	-	-	-
M8940	Stool, Anesthesia, With Back	1		C	C	C	C	-	-	-	-	-	-
M8970	Warmer, Blood, High Volume	1		C	C	C	C	-	B	-	-	-	-
M9110	Table, Operating, 5 or 6 Section, Trauma	1		C	C	-	-	-	A	-	-	-	-
X1200	Lithotripter, Extracorporeal	1		C	C	-	-	D	F	D	-	-	B
X3150	Rack, Apron/Gloves, Wall Mounted	1		A	A	A	A	-	-	-	-	-	-
X4122	Console, PACS, Remote View, w/Two 3MP Monitors	1		C	C	-	-	-	A	-	-	-	-

<b>Room Description:</b> Operating Room, Cystoscopy (ORCS1)	<b>NSF:</b> 660 SF	<b>ORCS1</b>	
<b>Sheet Description:</b> Equipment Schedule	<b>Scale:</b>	Sheet <b>7</b>	of <b>7</b>