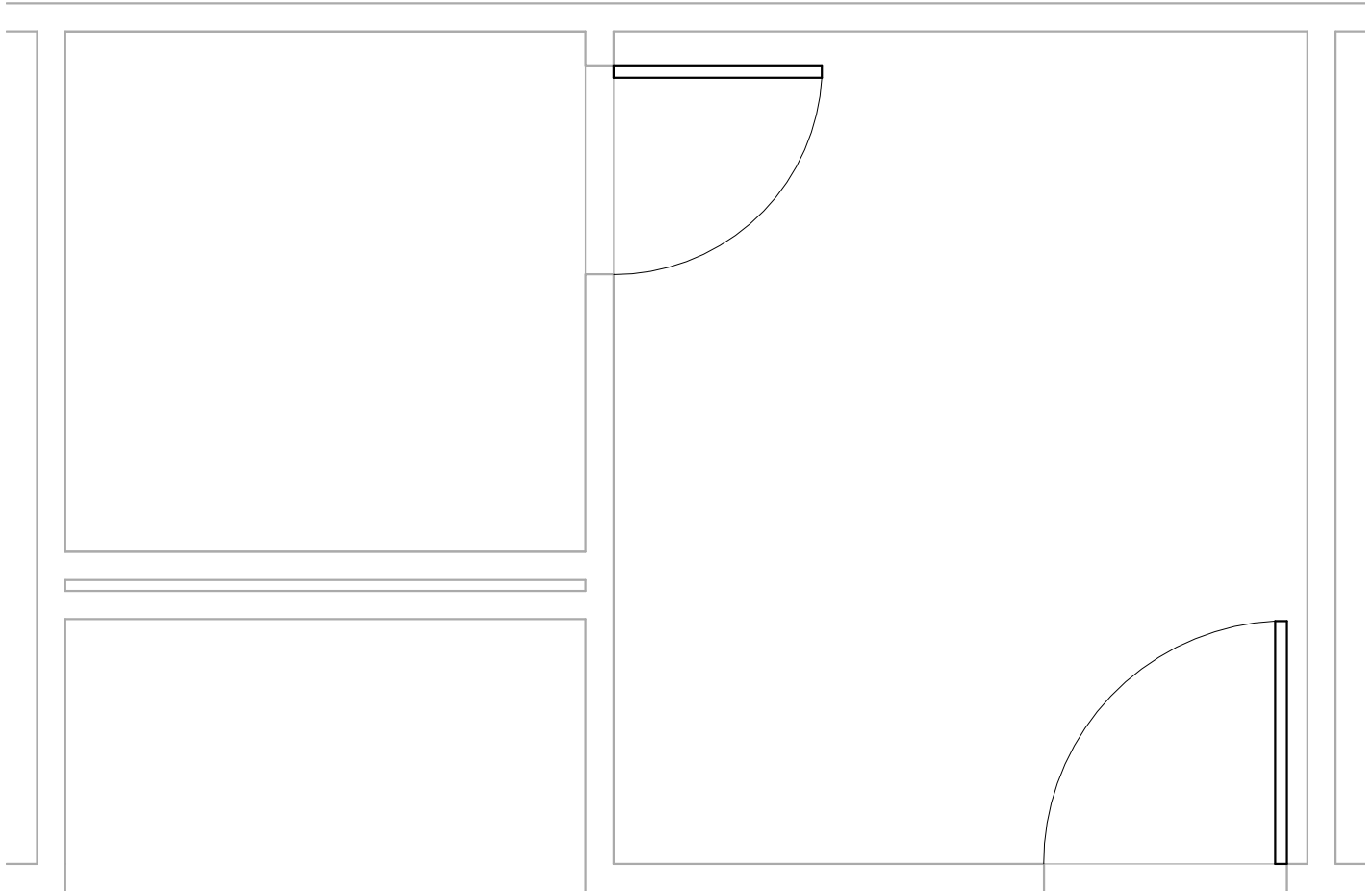
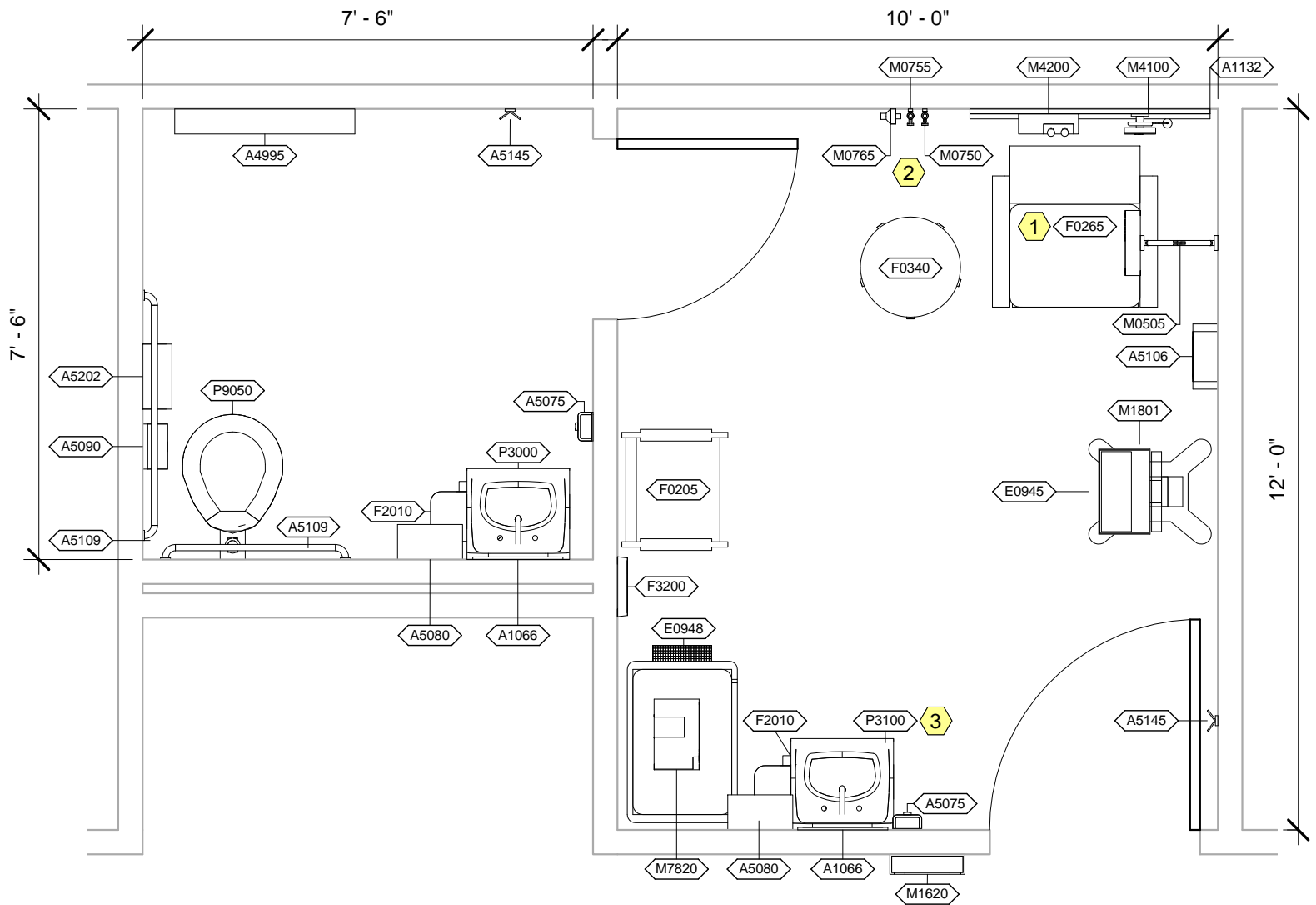


Room Antepartum Testing (LDAT1) Description: Toilet (TLTU1)	NSF: 120 60	LDAT1/TLTU1	
Sheet Description: Room/Equipment Isometric	Scale:	Sheet 1	of 6



LDAT1 - CEILING MOUNTED EQUIPMENT PLAN

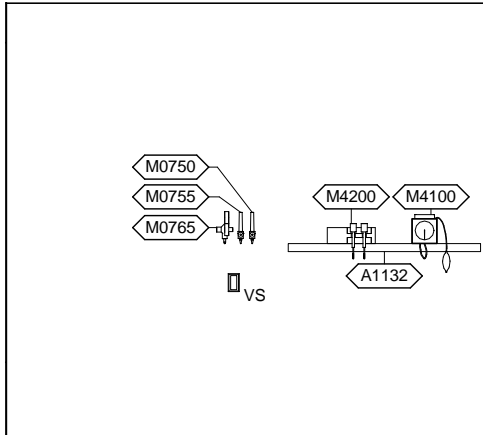
Room Antepartum Testing (LDAT1) Description: Toilet (TLTU1)	NSF: 120 60	LDAT1/TLTU1	
Sheet Description: Ceiling Mounted Equipment Plan	Scale: 3/8" = 1'-0"	Sheet 2	of 6



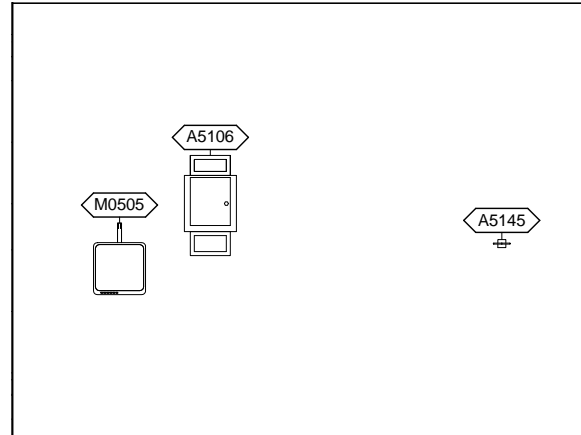
LDAT1/TLTU1 - NOTES

- 1 Verify with user the use of JSN F0265, Chair, versus JSN M4655, Stretcher.
- 2 Provide bottled gas if building piped MCA and OX are not available.
- 3 JSN P8710, Utility Center, shall be included in Navy projects only.

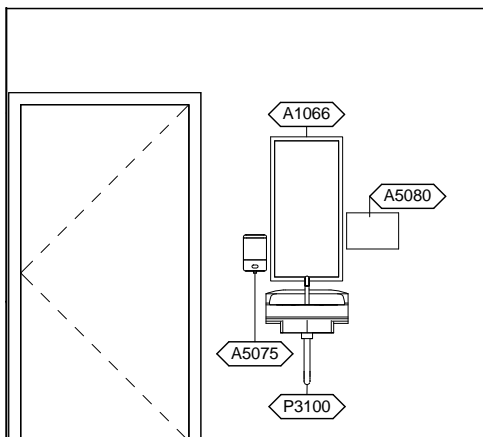
Room Antepartum Testing (LDAT1) Description: Toilet (TLTU1)	NSF: 120 60	LDAT1/TLTU1	
Sheet Description: Equipment Plan	Scale: 3/8" = 1'-0"	Sheet 3	of 6



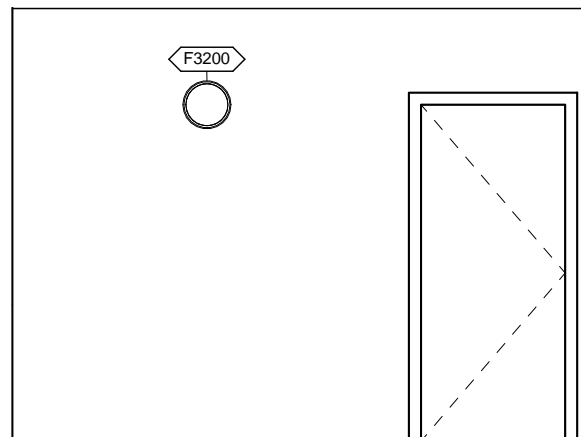
LDAT1 - NORTH ELEVATION



LDAT1 - EAST ELEVATION

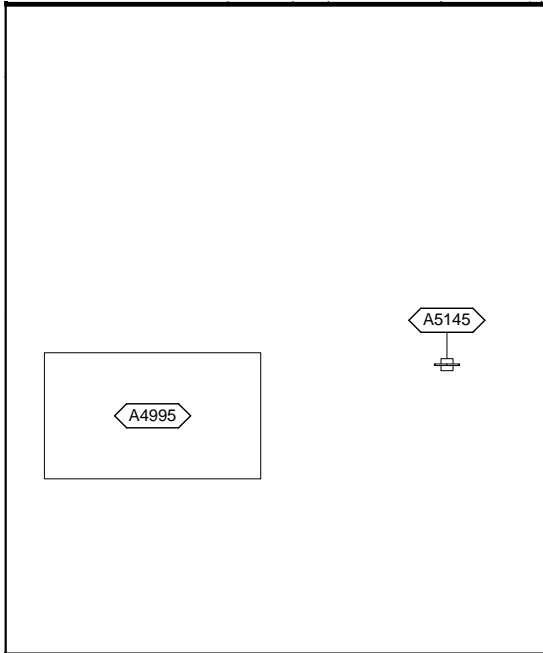


LDAT1 - SOUTH ELEVATION

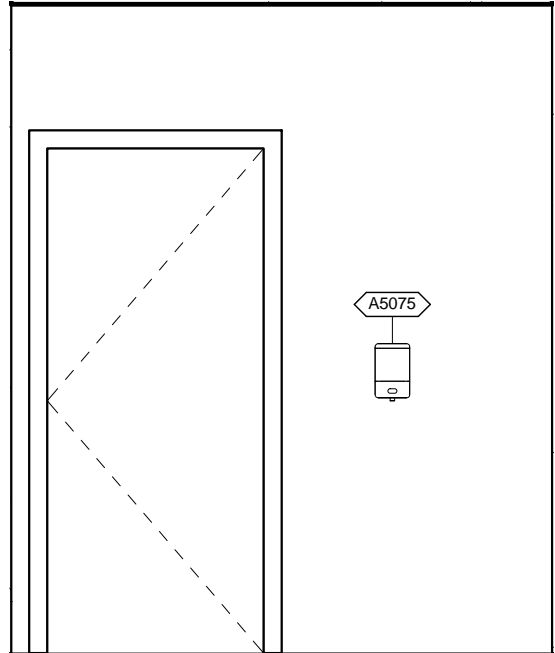


LDAT1 - WEST ELEVATION

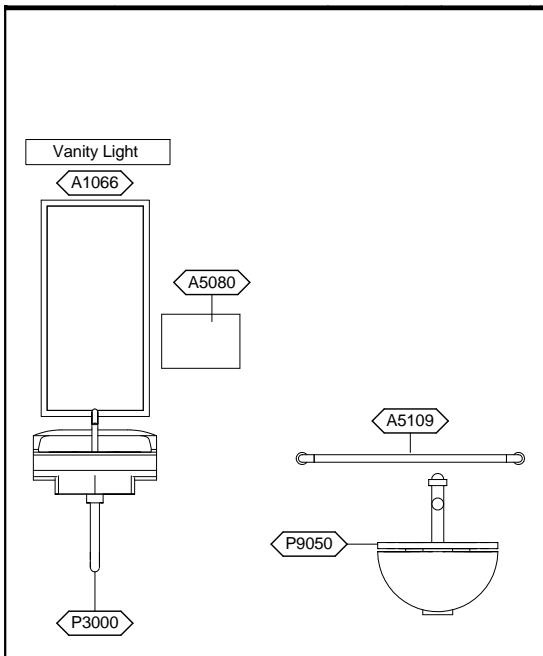
Room Antepartum Testing (LDAT1) Description: Toilet (TLTU1)	NSF: 120 60	LDAT1/TLTU1	
Sheet Description: Interior Room Elevations	Scale: 1/4" = 1'-0"	Sheet 4	of 6



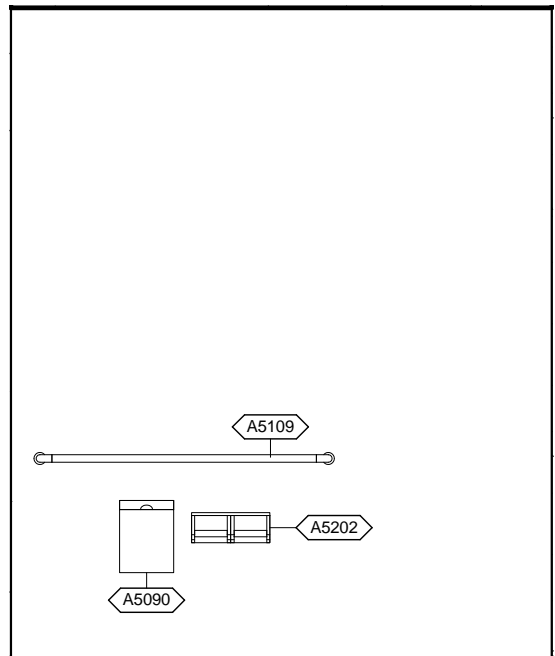
TLTU1 - NORTH ELEVATION



TLTU1 - EAST ELEVATION



TLTU1 - SOUTH ELEVATION



TLTU1 - WEST ELEVATION

Room Antepartum Testing (LDAT1) Description: Toilet (TLTU1)	NSF: 120 60	LDAT1/TLTU1	
Sheet Description: Interior Room Elevations	Scale: 3/8" = 1'-0"	Sheet 5	of 6

LDAT1 - EQUIPMENT SCHEDULE

JSN	Nomenclature	Qty	LF	AR	Logistics			Utilities						
					NA	AF	VA	1	2	3	4	5	6	
A1066	Mirror, Float Glass, With SS Frame	1		A	A	A	A	-	-	-	-	-	-	-
A1132	Rail, Accessory Mounting, 48"	1	4'-0"	A	A	A	A	-	-	-	-	-	-	-
A5075	Dispenser, Soap, Disposable	1		C	C	C	C	-	-	-	-	-	-	-
A5080	Dispenser, Paper Towel, SS, Surface Mounted	1		A	A	A	A	-	-	-	-	-	-	-
A5106	Waste Disposal Unit, Sharps w/Glove Dispenser	1		C	A	C	C	-	-	-	-	-	-	-
A5145	Hook, Garment, Double, SS, Surface Mounted	1		A	A	A	A	-	-	-	-	-	-	-
E0945	Mobile, Workstation	1		C	C	C	C	-	-	-	-	-	-	-
E0948	Cart, General Storage, Mobile, 42"H x 32"W x 22"D	1		C	C	C	C	-	-	-	-	-	-	-
F0205	Chair, Side With Arms	1		C	C	C	C	-	-	-	-	-	-	-
F0265	Chair, Recliner	1		C	C	C	C	-	-	-	-	-	-	-
F0340	Stool, Self Adjusting	1		C	C	C	C	-	-	-	-	-	-	-
F2010	Basket, Wastepaper, Step-On	1		C	C	C	C	-	-	-	-	-	-	-
F3200	Clock, Battery, 12" Diameter	1		C	C	C	C	-	-	-	-	-	-	-
M0505	Television, Color, Bedside	1		C	C	C	C	-	F	-	-	-	-	-
M0750	Flowmeter, Air, Connect w/50 PSI Supply	1		C	C	C	C	-	-	K	-	-	-	-
M0755	Flowmeter, Oxygen, Low Flow	1		C	C	C	C	-	-	A	-	-	-	-
M0765	Regulator, Vacuum	1		C	C	C	C	-	-	B	-	-	-	-
M1620	Holder, Chart, Patient, Wall or Door Mounted	1		A	A	A	A	-	-	-	-	-	-	-
M1801	Computer, Microprocessing, w/Flat Panel Monitor	1		C	C	C	C	-	A	-	-	-	-	-
M4100	Sphygmomanometer, Aneroid, Wall Mounted	1		C	C	C	C	-	-	-	-	-	-	-
M4200	Otoscope/Ophthalmoscope, Wall Mounted	1		C	C	-	C	-	A	-	-	-	-	-
M7820	Monitor, Fetal, Bedside/Stand Alone	1		C	C	C	C	-	A	-	-	-	-	D
P3100	Lavatory, Vitreous China, Slab Type	1		A	A	A	A	D	-	-	-	-	-	-

TLTU1 - EQUIPMENT SCHEDULE

JSN	Nomenclature	Qty	LF	AR	Logistics			Utilities						
					NA	AF	VA	1	2	3	4	5	6	
A1066	Mirror, Float Glass, With SS Frame	1		A	A	A	A	-	-	-	-	-	-	-
A4995	Table, Diaper Changing, Wall Mounted	1		A	A	A	A	-	-	-	-	-	-	-
A5075	Dispenser, Soap, Disposable	1		C	C	C	C	-	-	-	-	-	-	-
A5080	Dispenser, Paper Towel, SS, Surface Mounted	1		A	A	A	A	-	-	-	-	-	-	-
A5090	Disposal, Sanitary Napkin, SS, Surface Mounted	1		A	A	A	A	-	-	-	-	-	-	-
A5109	Grab Bar, 1-1/4" Dia., SS, 2 Wall, W/C Accessible	2		A	A	A	A	-	-	-	-	-	-	-
A5145	Hook, Garment, Double, SS, Surface Mounted	1		A	A	A	A	-	-	-	-	-	-	-
A5202	Dispenser, Toilet Paper w/Utility Shelf, SS, 2-Roll	1		A	A	A	A	-	-	-	-	-	-	-
F2010	Basket, Wastepaper, Step-On	1		C	C	C	C	-	-	-	-	-	-	-
P3000	Lavatory, Vitreous China, Straight Back	1		A	A	A	A	D	-	-	-	-	-	-
P9050	Toilet, Wall Hung, Siphon Jet	1		A	A	A	A	B	-	-	-	-	-	-

Room Antepartum Testing (LDAT1) Description: Toilet (TLTU1)	NSF: 120 60	LDAT1/TLTU1	
Sheet Description: Equipment Schedule	Scale:	Sheet 6	of 6