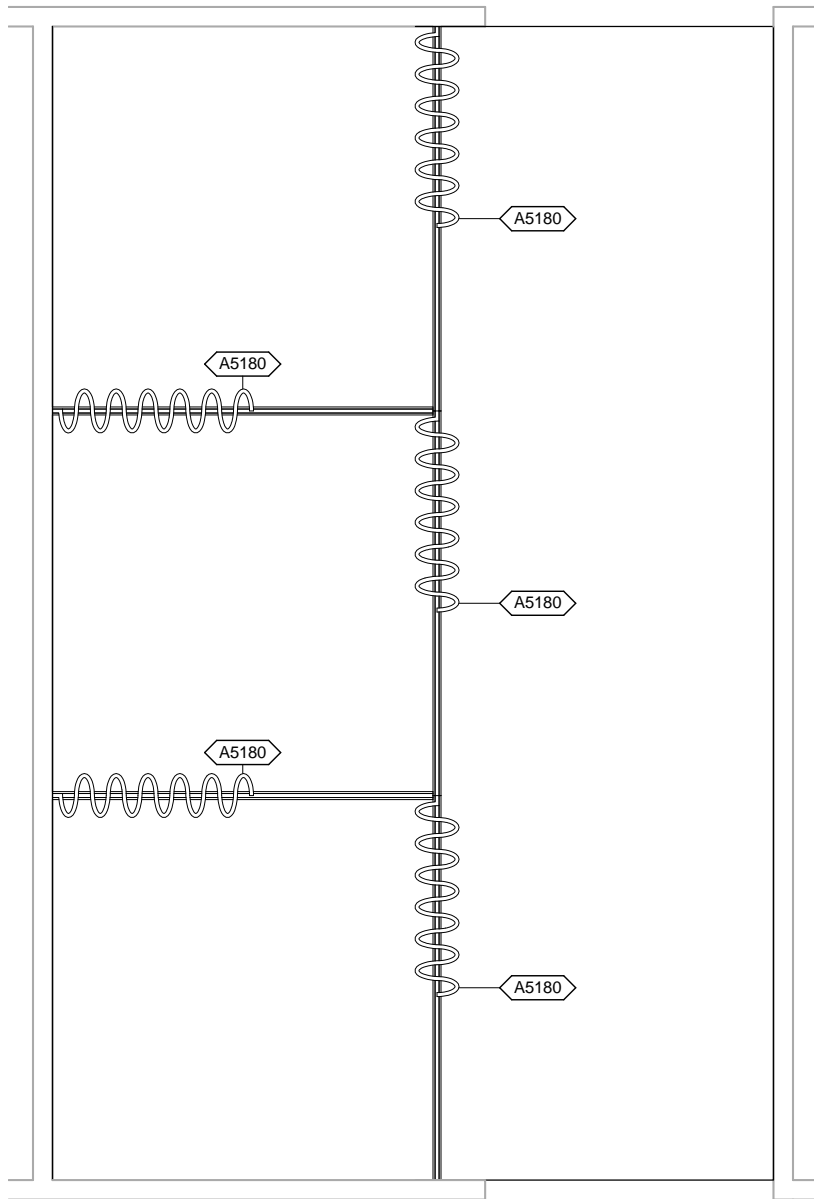
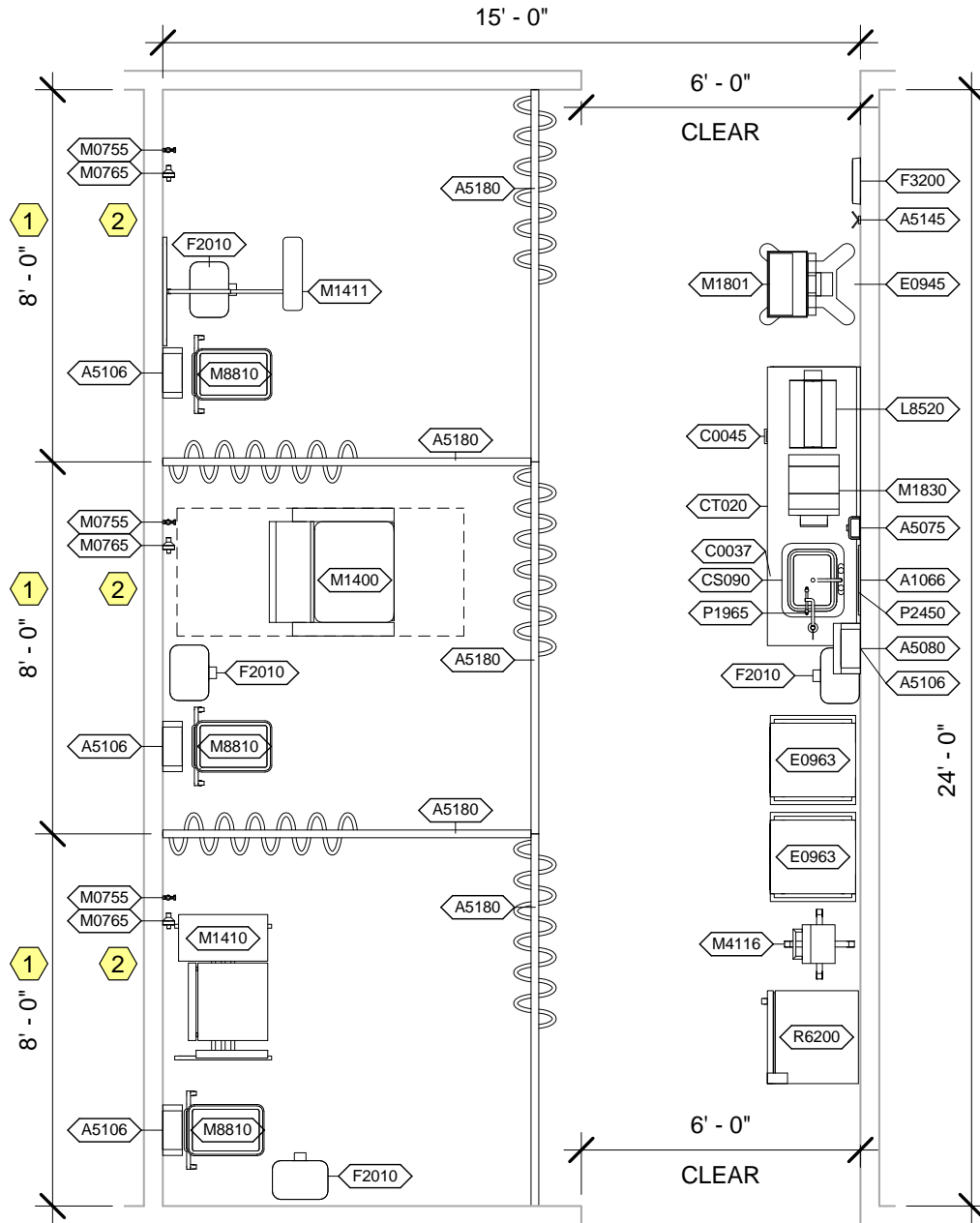


Room Description: Laboratory, Venipuncture, Multi-Station (LBVP2)	NSF: 360	LBVP2	
Sheet Description: Room/Equipment Isometric	Scale:	Sheet 1	of 6



LBVP2 - CEILING MOUNTED EQUIPMENT PLAN

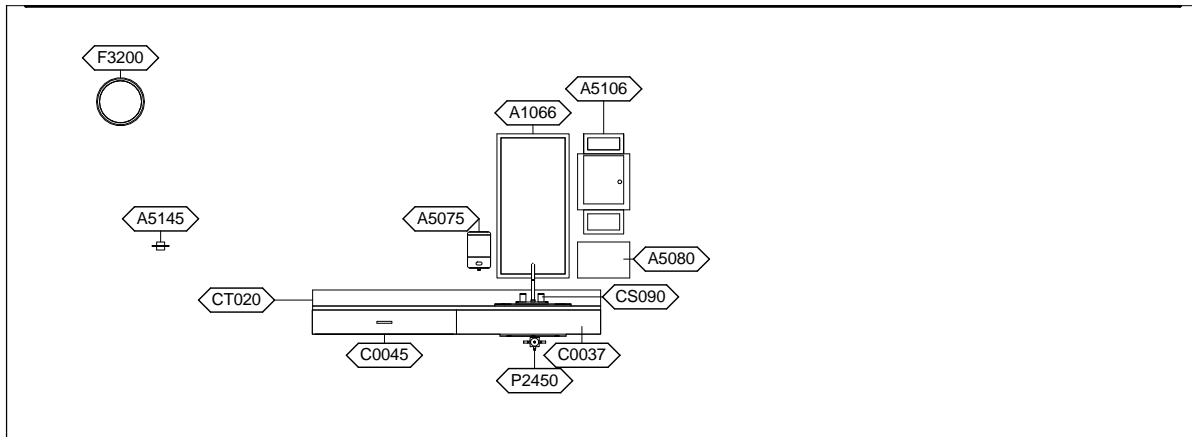
Room Description: Laboratory, Venipuncture, Multi-Station (LBVP2)	NSF: 360	LBVP2	
Sheet Description: Ceiling Mounted Equipment Plan	Scale: 1/4" = 1'-0"	Sheet 2	of 6



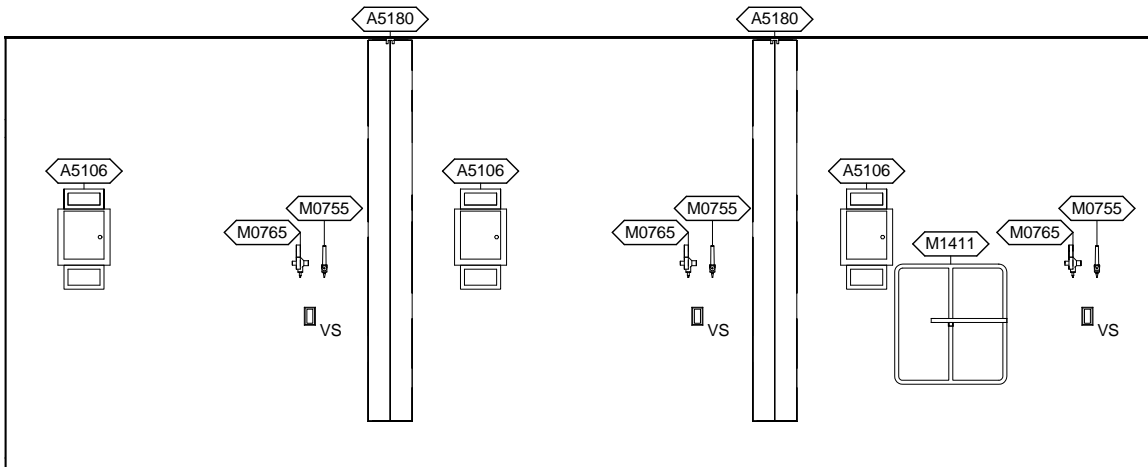
LBVP2 - NOTES

- 1 Dimensions may vary depending upon staffing and number of patient chairs required.
- 2 Piped gases and emergency power only required in hospital occupancy.

Room Description: Laboratory, Venipuncture, Multi-Station (LBVP2)	NSF: 360	LBVP2	
Sheet Description: Equipment Plan	Scale: 1/4" = 1'-0"	Sheet 3	of 6



LBVP2 - EAST ELEVATION



LBVP2 - WEST ELEVATION

Room Description: Laboratory, Venipuncture, Multi-Station (LBVP2)	NSF: 360	LBVP2	
Sheet Description: Interior Room Elevations	Scale: 1/4" = 1'-0"	Sheet 5	of 6

LBVP2 - EQUIPMENT SCHEDULE

JSN	Nomenclature	Qty	LF	Logistics				Utilities					
				AR	NA	AF	VA	1	2	3	4	5	6
A1066	Mirror, Float Glass, With SS Frame	1		A	A	A	A	-	-	-	-	-	-
A5075	Dispenser, Soap, Disposable	1		C	C	C	C	-	-	-	-	-	-
A5080	Dispenser, Paper Towel, SS, Surface Mounted	1		A	A	A	A	-	-	-	-	-	-
A5106	Waste Disposal Unit, Sharps w/Glove Dispenser	4		C	A	C	C	-	-	-	-	-	-
A5145	Hook, Garment, Double, SS, Surface Mounted	1		A	A	A	A	-	-	-	-	-	-
A5180	Track, Cubicle, Surface Mounted, With Curtain	5	8'-0"	A	A	A	A	-	-	-	-	-	-
C0037	Rail, Apron, 4x36x1	1		A	A	A	A	-	-	-	-	-	-
C0045	Frame, Apron, 1 Drawer, 4x36x22	1		A	A	A	A	-	-	-	-	-	-
CS090	Sink, SS, Single Compartment, 7.5x19x16 ID	1		A	A	A	A	D	-	-	-	-	-
CT020	Countertop, Solid Surface	1	6'-0"	A	A	A	A	-	-	-	-	-	-
E0945	Mobile, Workstation	1		C	C	C	C	-	-	-	-	-	-
E0963	Cart, General Storage, Mobile	2		C	C	C	C	-	-	-	-	-	-
F2010	Basket, Wastepaper, Step-On	4		C	C	C	C	-	-	-	-	-	-
F3200	Clock, Battery, 12" Diameter	1		C	C	C	C	-	-	-	-	-	-
L8520	Shaker, Rotating, 12 Standard Tubes	1		C	C	C	C	-	A	-	-	-	-
M0755	Flowmeter, Oxygen, Low Flow	3		C	C	C	C	-	-	A	-	-	-
M0765	Regulator, Vacuum	3		C	C	C	C	-	-	B	-	-	-
M1400	Chair, Blood Donor, Recliner, Manual or Pneumatic	1		C	C	C	C	-	-	-	-	-	-
M1410	Chair, Laboratory, Blood Drawing, w/Storage	1		C	C	C	C	-	-	-	-	-	-
M1411	Phlebotomy Arm, Wheelchair Accessible	1		C	C	C	C	-	-	-	-	-	-
M1801	Computer, Microprocessing, w/Flat Panel Monitor	1		C	C	C	C	-	A	-	-	-	-
M1830	Printer, Label, Pharmacy	1		C	C	C	C	-	A	-	-	-	-
M4116	Monitor, Vital Signs	1		C	C	C	C	-	A	-	-	-	-
M8810	Stand, Mayo	3		C	C	C	C	-	-	-	-	-	-
P1965	Eyewash, Eye/Face, Sink Mounted, Hands-free	1		A	A	A	A	A	-	-	-	-	-
P2450	Valve, Mixing, Thermostatic	1		A	A	A	A	A	-	-	-	-	-
R6200	Refrigerator, U/C or F/S, 5 Cu Ft	1		C	C	C	C	-	A	-	-	-	-

Room Description: Laboratory, Venipuncture, Multi-Station (LBVP2)	NSF: 360	LBVP2	
Sheet Description: Equipment Schedule	Scale:	Sheet 6	of 6