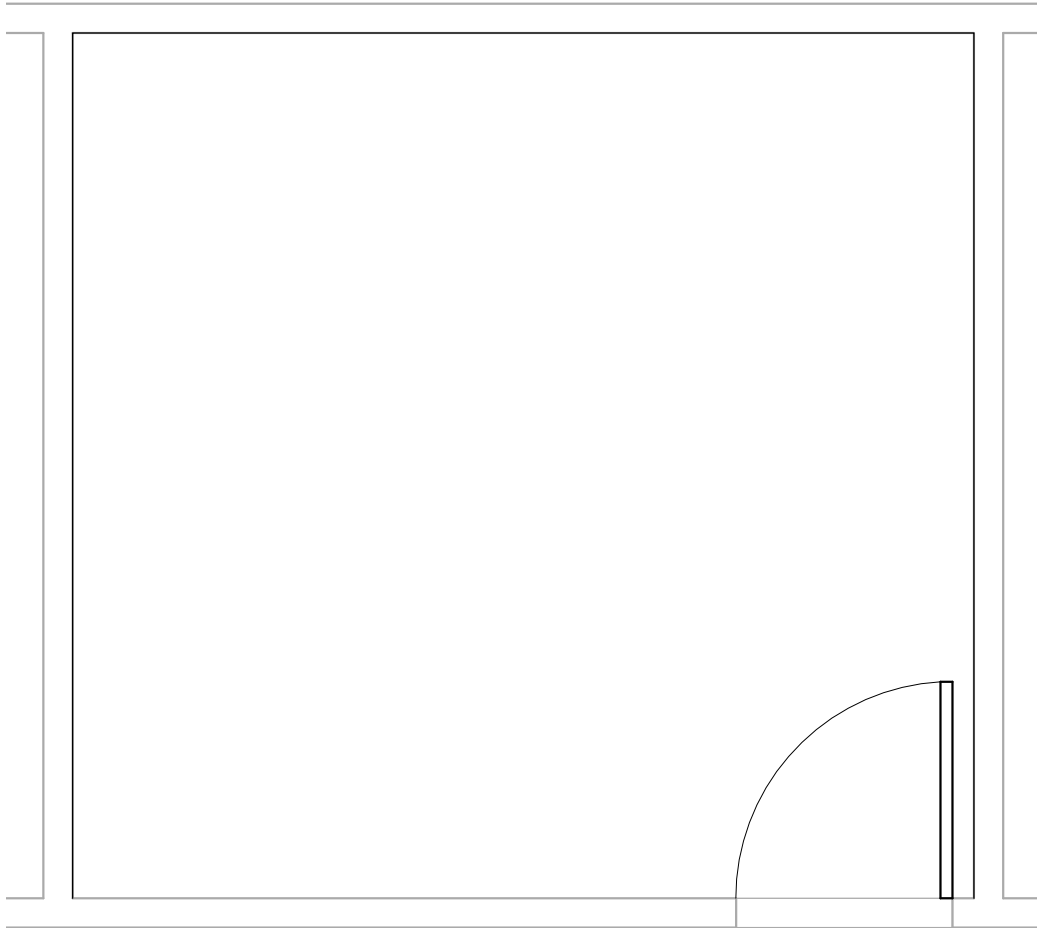
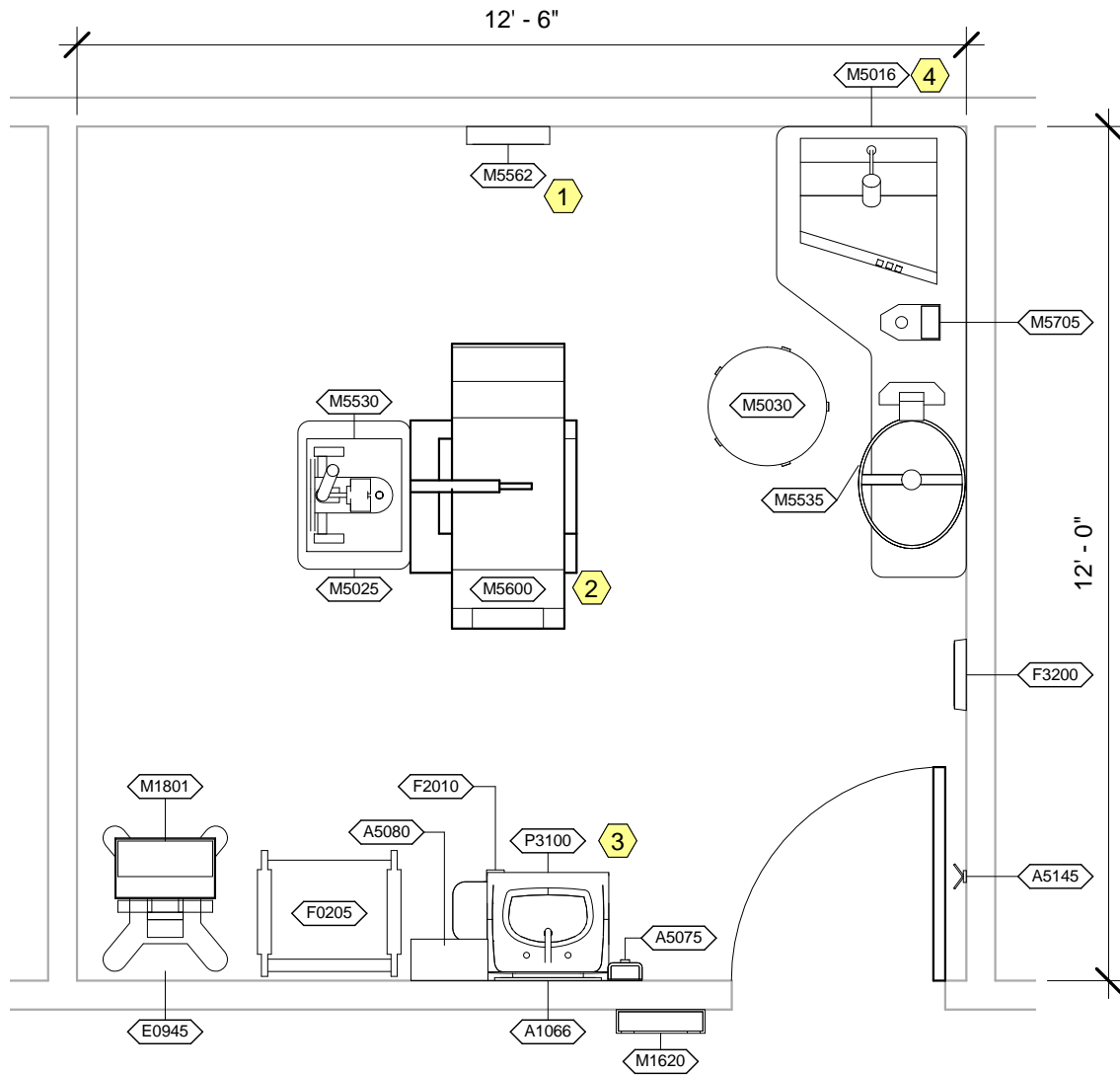


Room Description: Exam, Ophthalmology (EYOT2)	NSF: 150	EYOT2	
Sheet Description: Room/Equipment Isometric	Scale:	Sheet 1	of 5



EYOT2 - CEILING MOUNTED EQUIPMENT PLAN

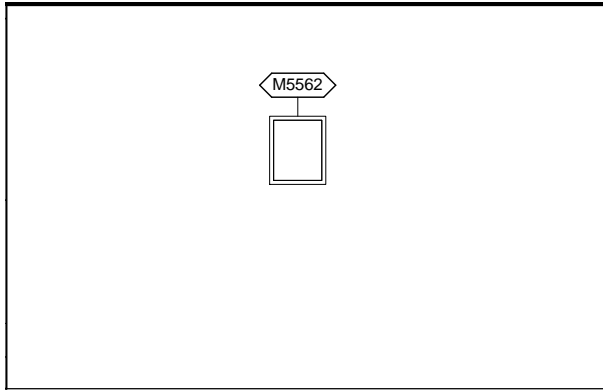
Room Description: Exam, Ophthalmology (EYOT2)	NSF: 150	EYOT2	
Sheet Description: Ceiling Mounted Equipment Plan	Scale: 3/8" = 1'-0"	Sheet 2	of 5



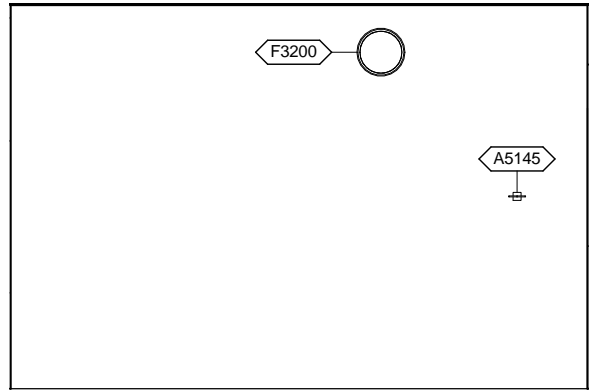
EYOT2 - NOTES

- 1 The acceptable distance range from JSN M5600, Chair, to JSN M5562, Visual Acuity Tester, is 6'-0" to 31'-0".
- 2 If equipment pole is mounted on the JSN M5016, Refraction Desk, instead of beside JSN M5600, Chair, JSN M5016, Refraction Desk, may need to be relocated and there will be no need for a motorized instrument stand (which might be incorporated into Chair package). This information would need to be considered if purchasing chair package). Validate instrument pole inclusion/exclusion into Refraction Desk procurement.
- 3 JSN P8710, Utility Center, shall be included in Navy projects only.
- 4 Dimming controls shall be wall mounted convenient to but not conflicting with JSN M5016, Refraction Desk. Dimming controls may be incorporated into JSN M5016, Refraction Desk.

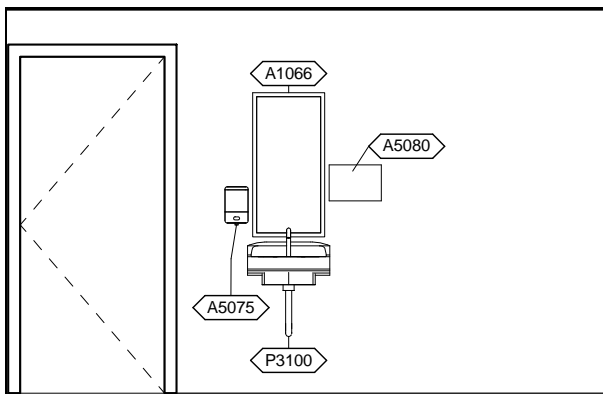
Room Description: Exam, Ophthalmology (EYOT2)	NSF: 150	EYOT2	
Sheet Description: Equipment Plan	Scale: 3/8" = 1'-0"	Sheet 3	of 5



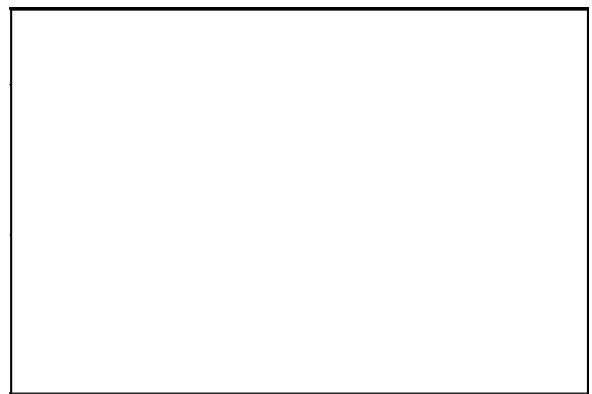
EYOT2 - NORTH ELEVATION



EYOT2 - EAST ELEVATION



EYOT2 - SOUTH ELEVATION



EYOT2 - WEST ELEVATION

Room Description: Exam, Ophthalmology (EYOT2)	NSF: 150	<h1>EYOT2</h1>	
Sheet Description: Interior Room Elevations	Scale: 1/4" = 1'-0"	Sheet <h2>4</h2>	of <h2>5</h2>

EYOT2 - EQUIPMENT SCHEDULE

JSN	Nomenclature	Qty	LF	Logistics				Utilities					
				AR	NA	AF	VA	1	2	3	4	5	6
A1066	Mirror, Float Glass, With SS Frame	1		A	A	A	A	-	-	-	-	-	-
A5075	Dispenser, Soap, Disposable	1		C	C	C	C	-	-	-	-	-	-
A5080	Dispenser, Paper Towel, SS, Surface Mounted	1		A	A	A	A	-	-	-	-	-	-
A5145	Hook, Garment, Double, SS, Surface Mounted	1		A	A	A	A	-	-	-	-	-	-
E0945	Mobile, Workstation	1		C	C	C	C	-	-	-	-	-	-
F0205	Chair, Side With Arms	1		C	C	C	C	-	-	-	-	-	-
F2010	Basket, Wastepaper, Step-On	1		C	C	C	C	-	-	-	-	-	-
F3200	Clock, Battery, 12" Diameter	1		C	C	C	C	-	-	-	-	-	-
M1620	Holder, Chart, Patient, Wall or Door Mounted	1		A	A	A	A	-	-	-	-	-	-
M1801	Computer, Microprocessing, w/Flat Panel Monitor	1		C	C	C	C	-	A	-	-	-	-
M5016	Desk, Refraction w/console, w/o Sink	1		A	E	A	A	-	F	-	-	-	-
M5025	Table, Instrument, Ophthalmic, Adjustable	1		C	C	C	C	-	A	-	-	-	-
M5030	Stool, Surgeon, Revolving	1		C	C	C	C	-	-	-	-	-	-
M5530	Lamp, Slit, w/Applanation Tonometer	1		C	C	C	C	-	A	-	-	-	-
M5535	Ophthalmoscope, Binocular, Indirect	1		C	C	C	C	-	A	-	-	-	-
M5562	Tester, Visual Acuity, Video/Microprocessor Based	1		C	C	C	C	-	A	-	-	-	-
M5600	Unit, Exam, Eye, w/Motor Chair, Phoropter	1		C	C	C	C	-	A	-	-	-	-
M5705	Gauge, Distance, Pupillary	1		C	C	C	C	-	-	-	-	-	-
P3100	Lavatory, Vitreous China, Slab Type	1		A	A	A	A	D	-	-	-	-	-

Room Description: Exam, Ophthalmology (EYOT2)	NSF: 150	EYOT2	
Sheet Description: Equipment Schedule	Scale:	Sheet 5	of 5