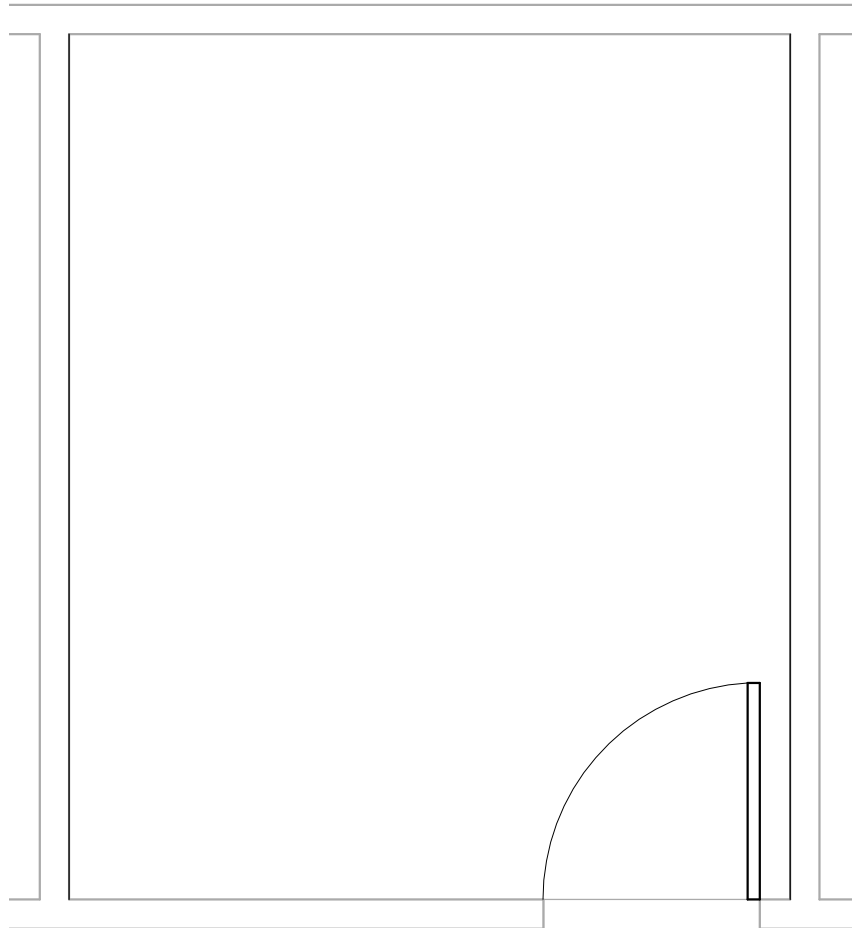


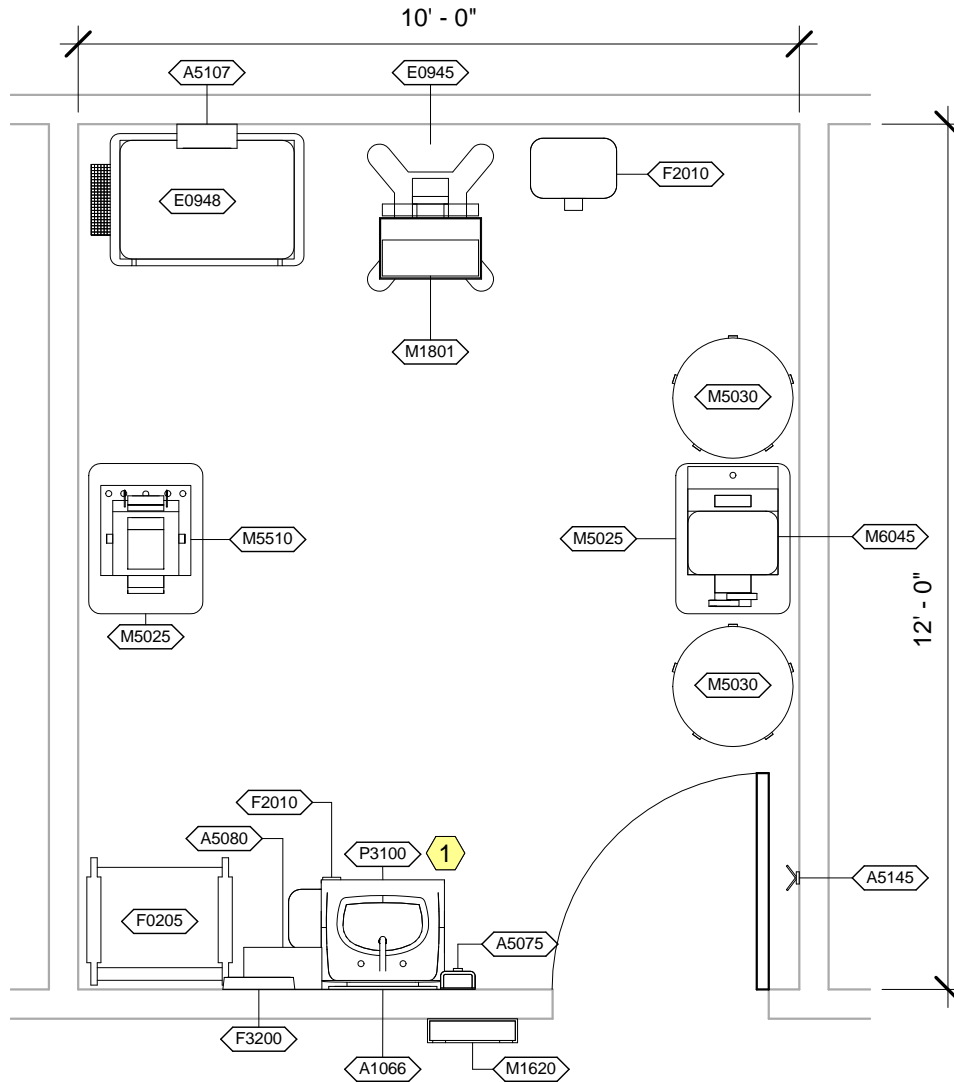


Room Description: Eye, Fundus Camera Room (EYFC1)	NSF: 120	EYFC1	
Sheet Description: Room/Equipment Isometric	Scale:	Sheet 1	of 5



EYFC1 - CEILING MOUNTED EQUIPMENT PLAN

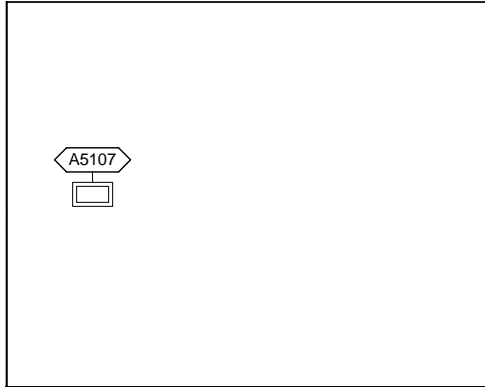
Room Description: Eye, Fundus Camera Room (EYFC1)	NSF: 120	EYFC1	
Sheet Description: Ceiling Mounted Equipment Plan	Scale: 3/8" = 1'-0"	Sheet 2	of 5



EYFC1 - NOTES

- 1 JSN P8710, Utility Center, shall be included in Navy projects only.

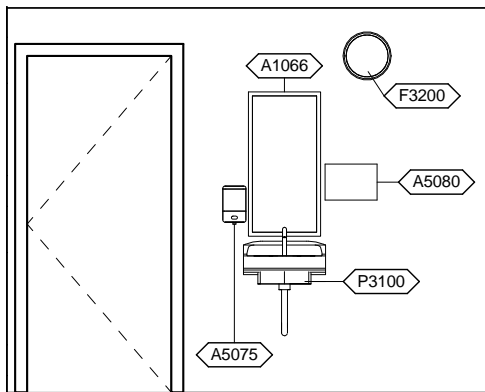
Room Description: Eye, Fundus Camera Room (EYFC1)	NSF: 120	EYFC1	
Sheet Description: Equipment Plan	Scale: 3/8" = 1'-0"	Sheet 3	of 5



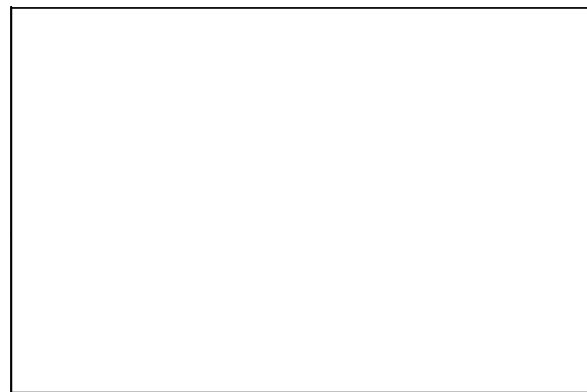
EYFC1 - NORTH ELEVATION



EYFC1 - EAST ELEVATION



EYFC1 - SOUTH ELEVATION



EYFC1 - WEST ELEVATION

Room Description: Eye, Fundus Camera Room (EYFC1)	NSF: 120	EYFC1	
Sheet Description: Interior Room Elevations	Scale: 1/4" = 1'-0"	Sheet 4	of 5

EYFC1 - EQUIPMENT SCHEDULE

JSN	Nomenclature	Qty	LF	Logistics				Utilities					
				AR	NA	AF	VA	1	2	3	4	5	6
A1066	Mirror, Float Glass, With SS Frame	1		A	A	A	A	-	-	-	-	-	-
A5075	Dispenser, Soap, Disposable	1		C	C	C	C	-	-	-	-	-	-
A5080	Dispenser, Paper Towel, SS, Surface Mounted	1		A	A	A	A	-	-	-	-	-	-
A5107	Dispenser, Glove, Surgical/Examination, Wall Mntd	1		C	C	C	C	-	-	-	-	-	-
A5145	Hook, Garment, Double, SS, Surface Mounted	1		A	A	A	A	-	-	-	-	-	-
E0945	Mobile, Workstation	1		C	C	C	C	-	-	-	-	-	-
E0948	Cart, General Storage, Mobile, 42"H x 32"W x 22"D	1		C	C	C	C	-	-	-	-	-	-
F0205	Chair, Side With Arms	1		C	C	C	C	-	-	-	-	-	-
F2010	Basket, Wastepaper, Step-On	2		C	C	C	C	-	-	-	-	-	-
F3200	Clock, Battery, 12" Diameter	1		C	C	C	C	-	-	-	-	-	-
M1620	Holder, Chart, Patient, Wall or Door Mounted	1		A	A	A	A	-	-	-	-	-	-
M1801	Computer, Microprocessing, w/Flat Panel Monitor	1		C	C	C	C	-	A	-	-	-	-
M5025	Table, Instrument, Ophthalmic, Adjustable	2		C	C	C	C	-	A	-	-	-	-
M5030	Stool, Surgeon, Revolving	2		C	C	C	C	-	-	-	-	-	-
M5510	Camera, Fundus, Digital	1		C	C	C	C	-	A	-	-	-	-
M6045	Corneal Topography Unit	1		C	C	C	C	-	A	-	-	-	-
P3100	Lavatory, Vitreous China, Slab Type	1		A	A	A	A	D	-	-	-	-	-

Room Description: Eye, Fundus Camera Room (EYFC1)	NSF: 120	EYFC1	
Sheet Description: Equipment Schedule	Scale:	Sheet 5	of 5