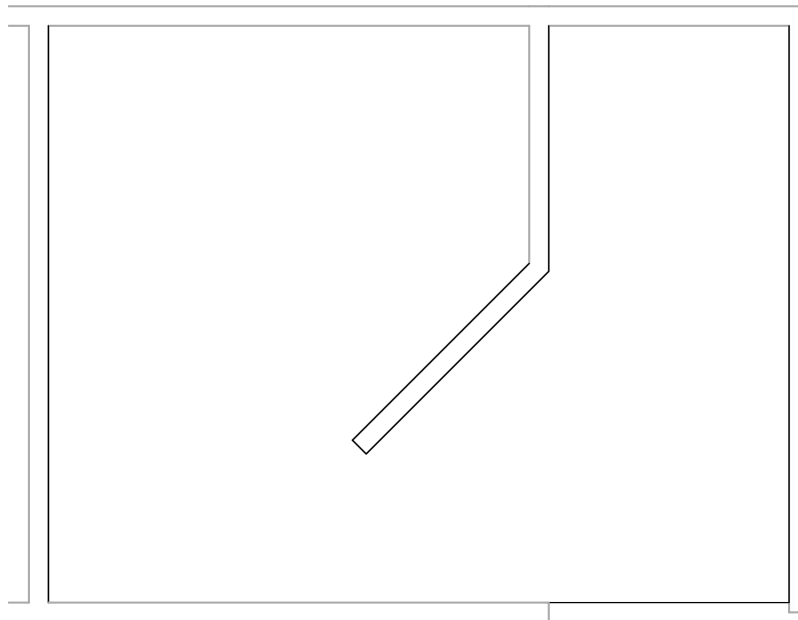


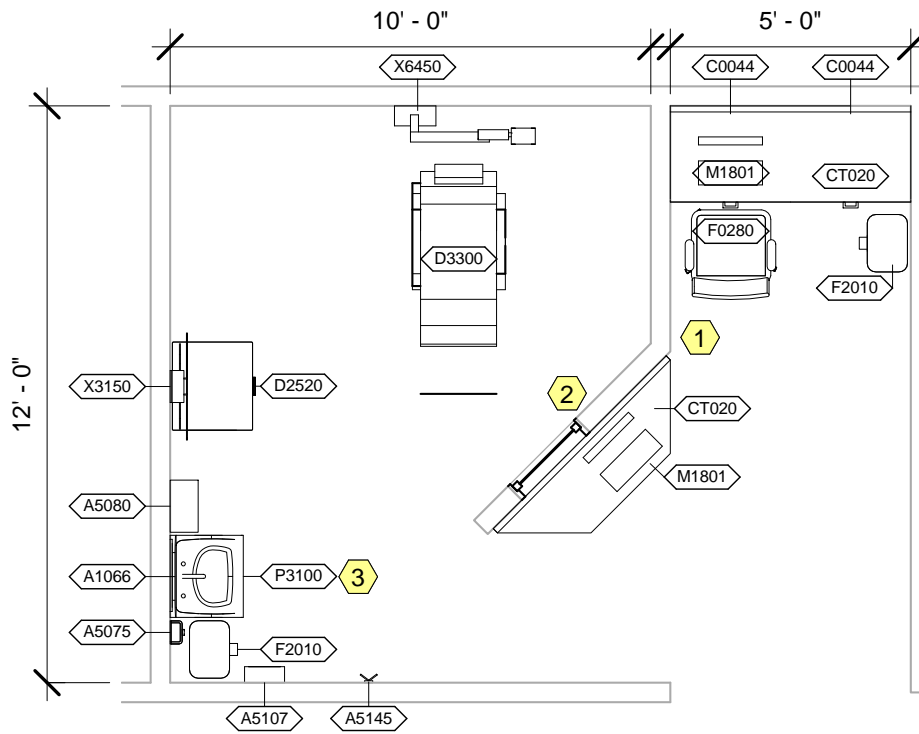


Room Description: Dental X-Ray, Extraoral/Panoramic/Cephometric (DNXS1)	NSF: 180	DNXS1	
Sheet Description: Room/Equipment Isometric	Scale:	Sheet 1	of 5



DNXS1 - CEILING MOUNTED EQUIPMENT PLAN

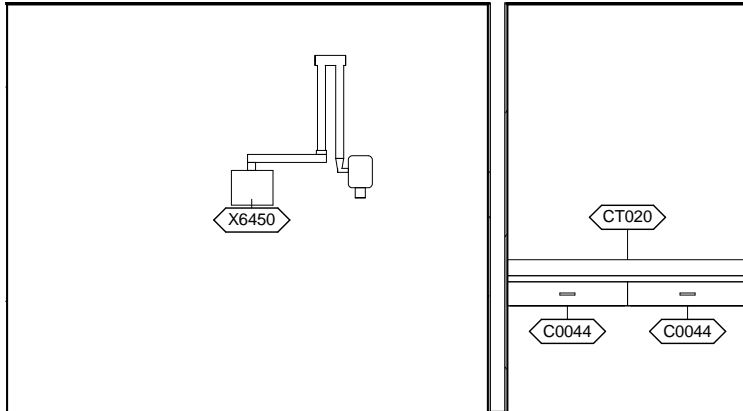
Room Description: Dental X-Ray, Extraoral/Panoramic/Cephometric (DNXS1)	NSF: 180	DNXS1	
Sheet Description: Ceiling Mounted Equipment Plan	Scale: 1/4" = 1'-0"	Sheet 2	of 5



DNXS1 - NOTES

- 1 X-Ray Remote Control Unit
- 2 Lead Glass View Window
- 3 JSN P8710, Utility Center, shall be included in Navy projects only.

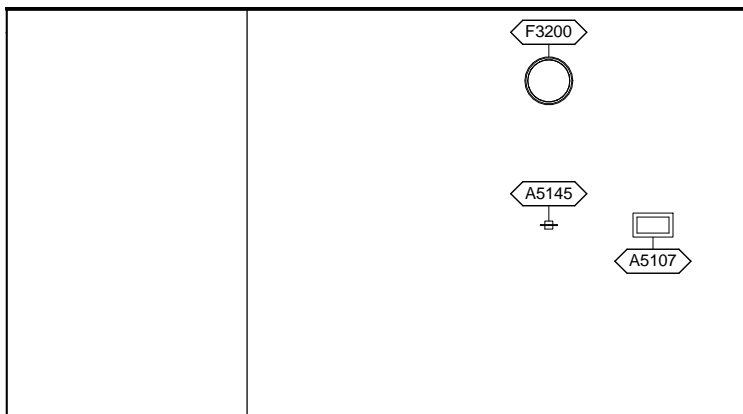
Room Description: Dental X-Ray, Extraoral/Panoramic/Cephometric (DNXS1)	NSF: 180	<h1 style="margin: 0;">DNXS1</h1>	
Sheet Description: Equipment Plan	Scale: 1/4" = 1'-0"	Sheet <h2 style="margin: 0;">3</h2>	of <h2 style="margin: 0;">5</h2>



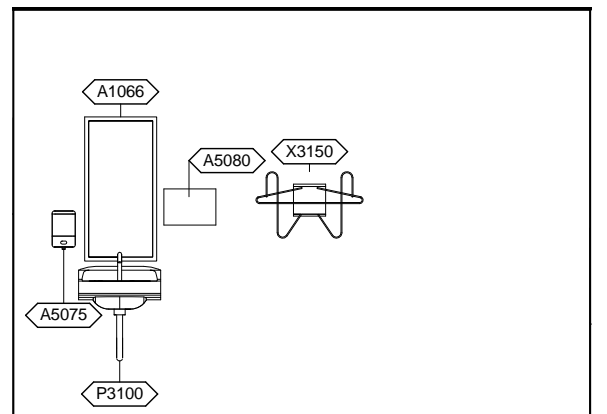
DNXS1 - NORTH ELEVATION



DNXS1 - EAST ELEVATION



DNXS1 - SOUTH ELEVATION



DNXS1 - WEST ELEVATION

Room Description: Dental X-Ray, Extraoral/Panoramic/Cephometric (DNXS1)	NSF: 180	<h1>DNXS1</h1>	
Sheet Description: Interior Room Elevations	Scale: 1/4" = 1'-0"	Sheet <h2>4</h2>	of <h2>5</h2>

DNXS1 - EQUIPMENT SCHEDULE

JSN	Nomenclature	Qty	LF	Logistics				Utilities					
				AR	NA	AF	VA	1	2	3	4	5	6
A1066	Mirror, Float Glass, With SS Frame	1		A	A	A	A	-	-	-	-	-	-
A5075	Dispenser, Soap, Disposable	1		C	C	C	C	-	-	-	-	-	-
A5080	Dispenser, Paper Towel, SS, Surface Mounted	1		A	A	A	A	-	-	-	-	-	-
A5107	Dispenser, Glove, Surgical/Examination, Wall Mntd	1		C	C	C	C	-	-	-	-	-	-
A5145	Hook, Garment, Double, SS, Surface Mounted	1		A	A	A	A	-	-	-	-	-	-
C0044	Frame, Apron, 1 Drawer, 4x30x22	2		A	A	A	A	-	-	-	-	-	-
CT020	Countertop, Solid Surface	1	5'-0"	A	A	A	A	-	-	-	-	-	-
CT020	Countertop, Solid Surface, Angled	1	4'-0"	A	A	A	A	-	-	-	-	-	-
D2520	Cabinet, Mobile, Storage/Assistant, Dental	1		C	C	C	C	-	-	-	-	-	-
D3300	Chair, Radiographic, Dental	1		C	C	C	C	-	A	-	-	-	-
F0280	Chair, Swivel, Low Back	1		C	C	C	C	-	-	-	-	-	-
F2010	Basket, Wastepaper, Step-On	2		C	C	C	C	-	-	-	-	-	-
F3200	Clock, Battery, 12" Diameter	1		C	C	C	C	-	-	-	-	-	-
M1801	Computer, Microprocessing, w/Flat Panel Monitor	2		C	C	C	C	-	A	-	-	-	-
P3100	Lavatory, Vitreous China, Slab Type	1		A	A	A	A	D	-	-	-	-	-
X3150	Rack, Apron/Gloves, Wall Mounted	1		A	A	A	A	-	-	-	-	-	-
X6450	Radiographic Unit, Dental, Wall Mounted, 15 mA	1		C	C	C	C	-	B	-	-	-	B

Room Description: Dental X-Ray, Extraoral/Panoramic/Cephometric (DNXS1)	NSF: 180	DNXS1	
Sheet Description: Equipment Schedule	Scale:	Sheet 5	of 5