

**Room** Bedroom, Acuity Adaptable (BRUN1)  
**Description:** Toilet/Shower (TLTS2)

**NSF:** 360  
 60

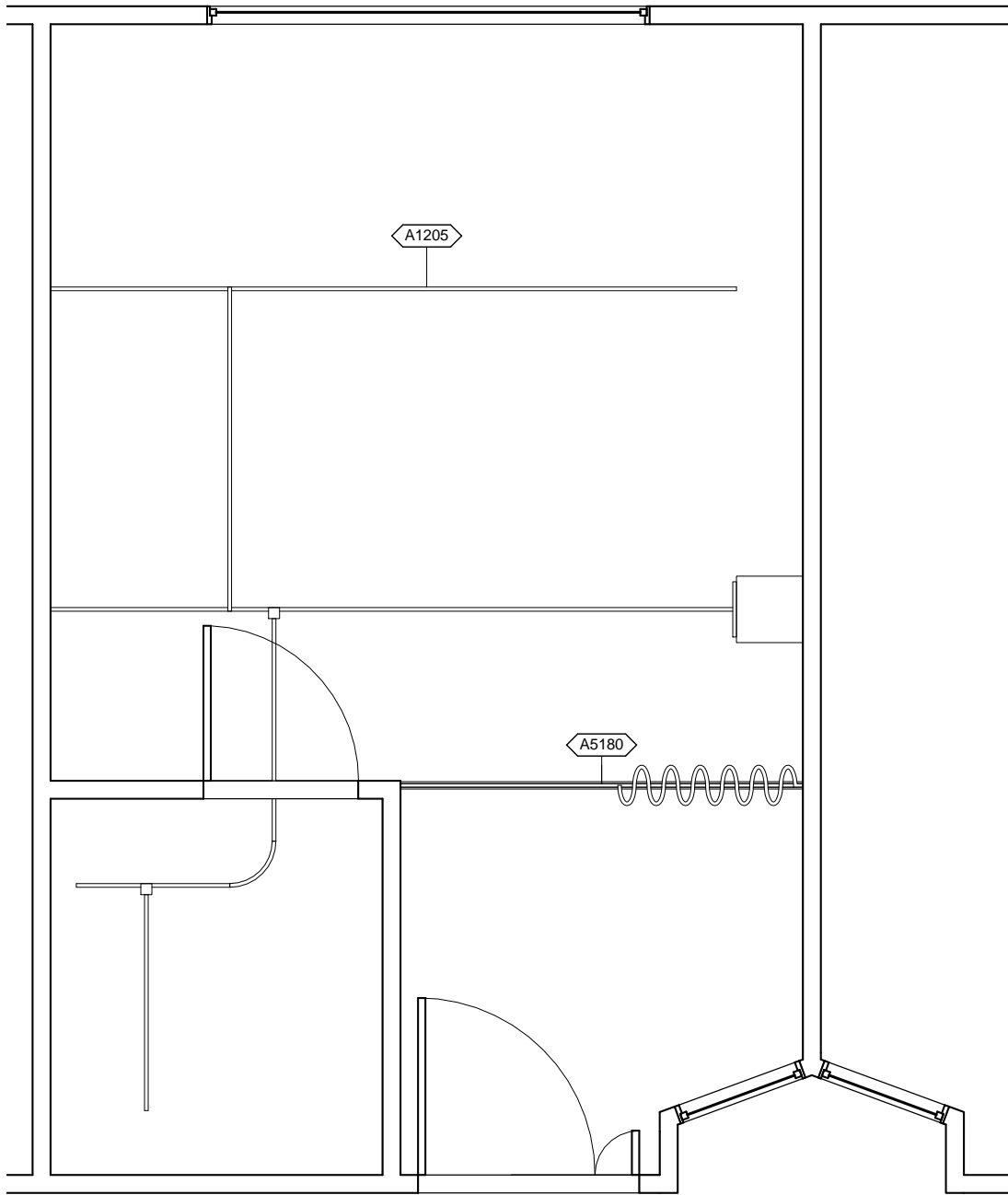
**BRUN1/TLTS2**

**Sheet**  
**Description:** Room/Equipment Isometric

**Scale:**

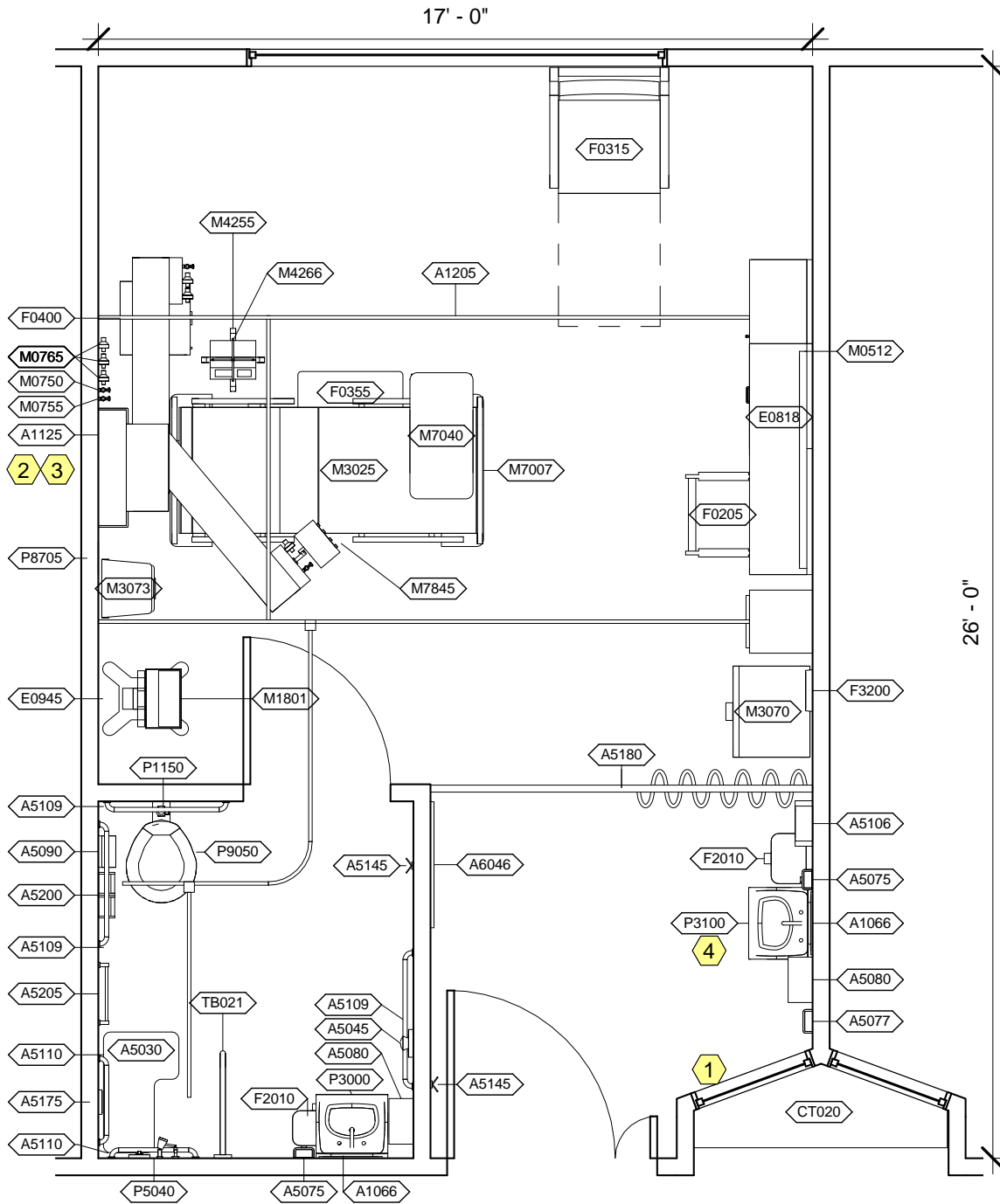
Sheet  
**1**

of  
**8**



**BRUN1 - CEILING MOUNTED EQUIPMENT PLAN**

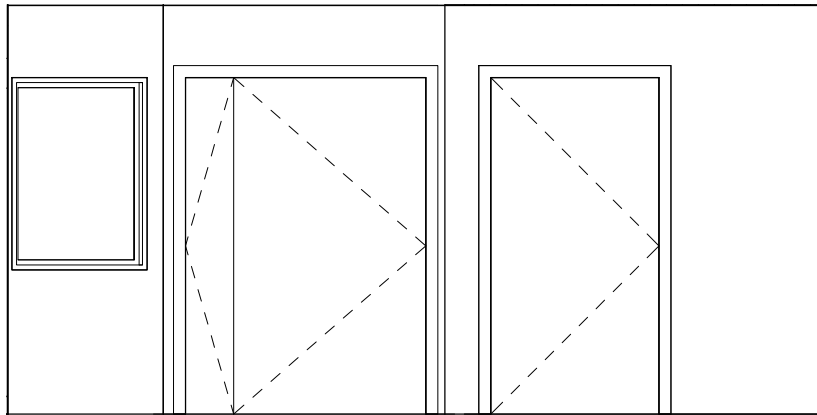
<b>Room</b> Bedroom, Acuity Adaptable (BRUN1) <b>Description:</b> Toilet/Shower (TLTS2)	<b>NSF:</b> 360 60	<b>BRUN1/TLTS2</b>	
<b>Sheet</b> <b>Description:</b> Ceiling Mounted Equipment Plan	<b>Scale:</b> 1/4" = 1'-0"	Sheet <b>2</b>	of <b>8</b>



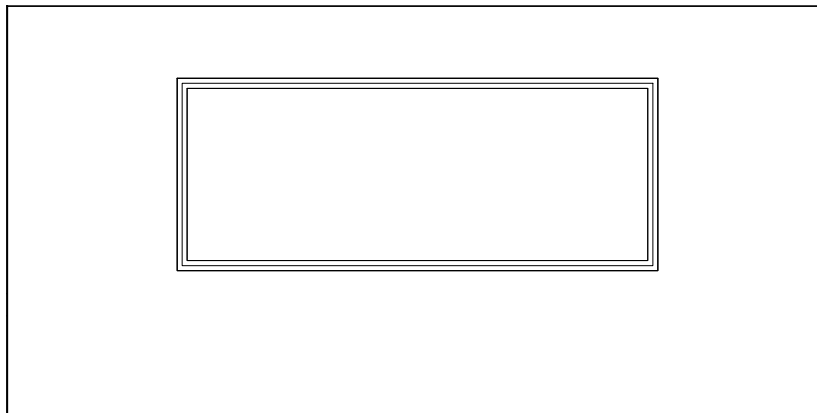
BRUN1 - NOTES

- 1 All internal windows shall have integral blinds. Operating controls must be within the room and outside of the room.
- 2 Coordinate electrical and data outlets with the cabinet installation.
- 3 Provide soffit, slope top, or false front to top of cabinetry for infectious control purposes.
- 4 Option to use JSN CS140, Sink, JSN CT020, Solid Surface Countertop, and JSN C0039, Apron, Rail, configuration.

<b>Room</b> Bedroom, Acuity Adaptable (BRUN1) <b>Description:</b> Toilet/Shower (TLTS2)	<b>NSF:</b> 360 60	<b>BRUN1/TLTS2</b>	
<b>Sheet</b> <b>Description:</b> Equipment Plan	<b>Scale:</b> 1/4" = 1'-0"	Sheet <b>3</b>	of <b>8</b>

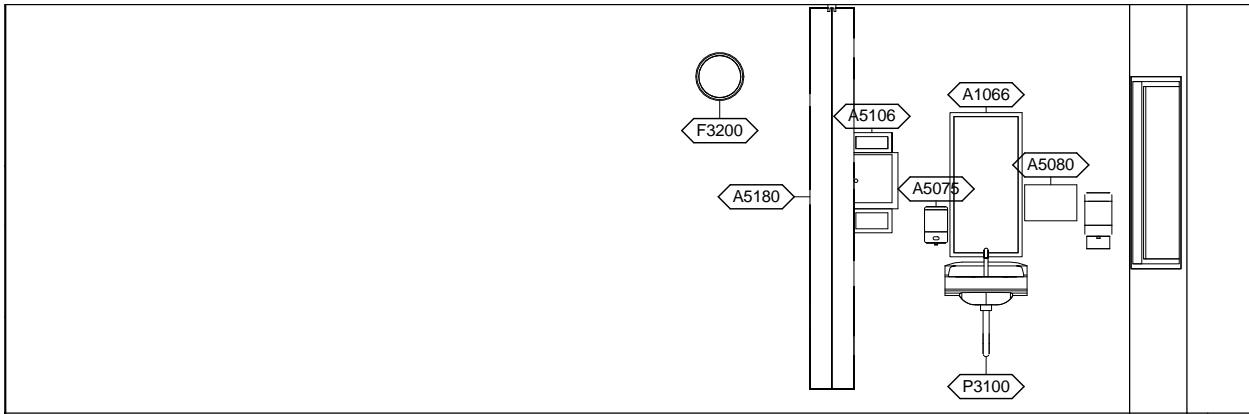


**BRUN1 - SOUTH ELEVATION**

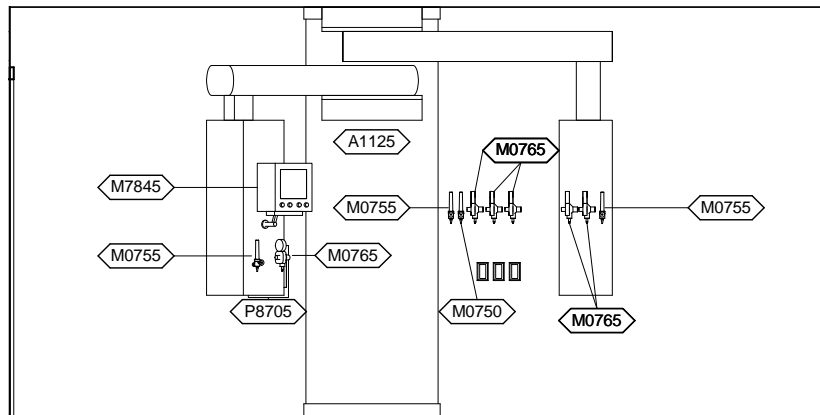


**BRUN1 - NORTH ELEVATION**

<b>Room</b> Bedroom, Acuity Adaptable (BRUN1) <b>Description:</b> Toilet/Shower (TLTS2)	<b>NSF:</b> 360 60	<b>BRUN1/TLTS2</b>	
<b>Sheet</b> <b>Description:</b> Interior Room Elevations	<b>Scale:</b> 1/4" = 1'-0"	Sheet <b>4</b>	of <b>8</b>

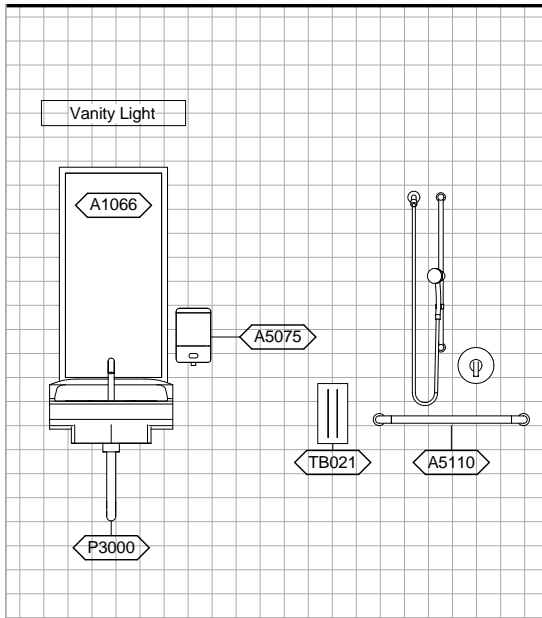


**BRUN1 - EAST ELEVATION**

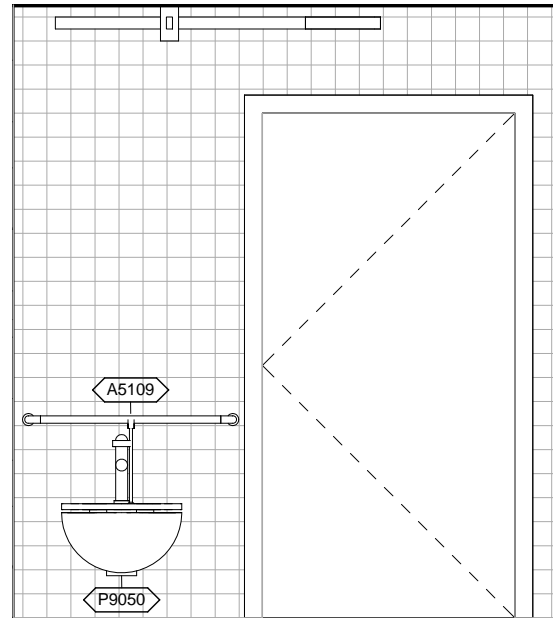


**BRUN1 - WEST ELEVATION**

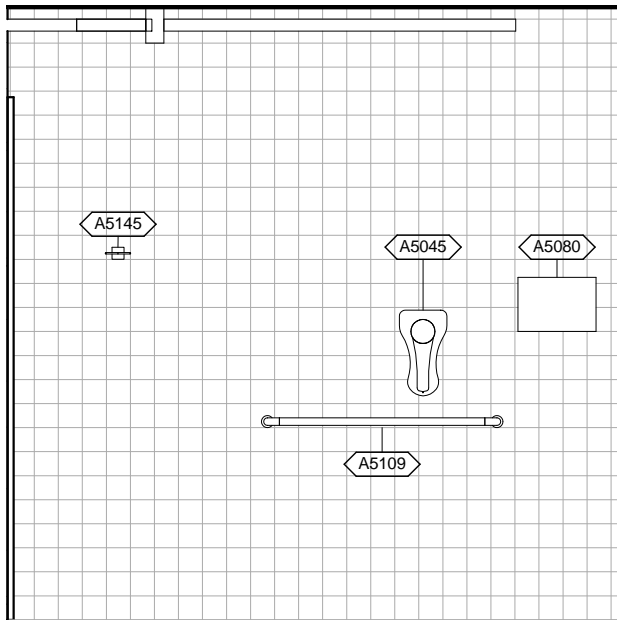
<b>Room</b> Bedroom, Acuity Adaptable (BRUN1) <b>Description:</b> Toilet/Shower (TLTS2)	<b>NSF:</b> 360 60	<b>BRUN1/TLTS2</b>	
<b>Sheet</b> <b>Description:</b> Interior Room Elevations	<b>Scale:</b> 1/4" = 1'-0"	Sheet <b>5</b>	of <b>8</b>



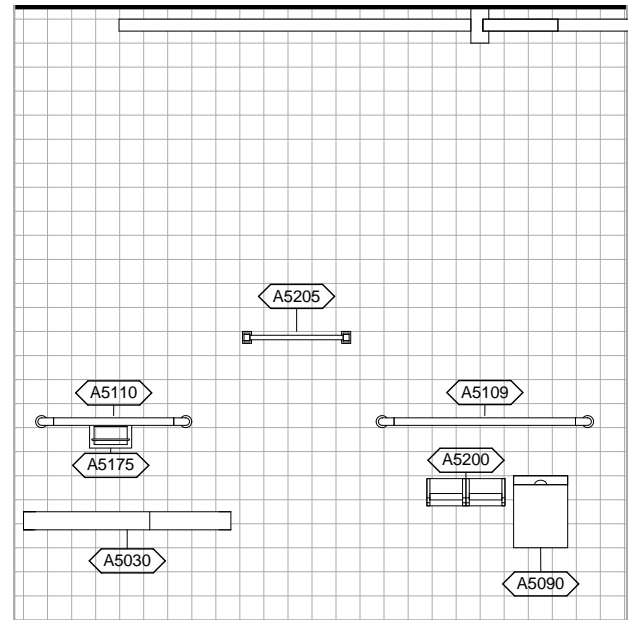
TLTS2 - SOUTH ELEVATION



TLTS2 - NORTH ELEVATION



TLTS2 - EAST ELEVATION



TLTS2 - WEST ELEVATION

<b>Room</b> Bedroom, Acuity Adaptable (BRUN1) <b>Description:</b> Toilet/Shower (TLTS2)	<b>NSF:</b> 360 60	<b>BRUN1/TLTS2</b>	
<b>Sheet</b> <b>Description:</b> Interior Room Elevations	<b>Scale:</b> 3/8" = 1'-0"	Sheet <b>6</b>	of <b>8</b>

BRUN1 - EQUIPMENT SCHEDULE

JSN	Nomenclature	Qty	LF	Logistics				Utilities					
				AR	NA	AF	VA	1	2	3	4	5	6
A1066	Mirror, Float Glass, With SS Frame	1		A	A	A	A	-	-	-	-	-	-
A1125	Headwall, Suspended System	1		A	A	A	A	-	F	G	-	-	J
A1205	Lift System, Overhead, Patient Room w/Bath	1		A	A	A	A	-	F	-	-	-	J
A5075	Dispenser, Soap, Disposable	1		C	C	C	C	-	-	-	-	-	-
A5077	Dispenser, Hand Sanitizer, Hands free	1		C	C	C	C	-	-	-	-	-	-
A5080	Dispenser, Paper Towel, SS, Surface Mounted	1		A	A	A	A	-	-	-	-	-	-
A5106	Waste Disposal Unit, Sharps w/Glove Dispenser	1		C	A	C	C	-	-	-	-	-	-
A5145	Hook, Garment, Double, SS, Surface Mounted	1		A	A	A	A	-	-	-	-	-	-
A5180	Track, Cubicle, Surface Mounted, With Curtain	1	9'-0"	A	A	A	A	-	-	-	-	-	-
A6046	Artwork, Decorative, With Frame	1		C	C	C	C	-	-	-	-	-	-
CT020	Countertop, Solid Surface, Angled	1	4'-0"	A	A	A	A	-	-	-	-	-	-
E0818	Module, Wardrobe, Family Zone, Inpatient Bedroom	1		F	F	F	F	-	-	-	-	-	-
E0945	Mobile, Workstation	1		C	C	C	C	-	-	-	-	-	-
F0205	Chair, Side With Arms	1		C	C	C	C	-	-	-	-	-	-
F0315	Chair, Sleeper	1		C	C	C	C	-	-	-	-	-	-
F0355	Footstool, Straight	1		C	C	C	C	-	-	-	-	-	-
F0400	Cabinet, Bedside, Door, Drawer	1		A	A	A	A	-	-	-	-	-	-
F2010	Basket, Wastepaper, Step-On	1		C	C	C	C	-	-	-	-	-	-
F3200	Clock, Battery, 12" Diameter	1		C	C	C	C	-	-	-	-	-	-
M0512	Television, HDTV, Large Screen, 60"	1		C	C	C	C	-	A	-	-	-	-
M0750	Flowmeter, Air, Connect w/50 PSI Supply	1		C	C	C	C	-	-	K	-	-	-
M0755	Flowmeter, Oxygen, Low Flow	3		C	C	C	C	-	-	A	-	-	-
M0765	Regulator, Vacuum	6		C	C	C	C	-	-	B	-	-	-
M1801	Computer, Microprocessing, w/Flat Panel Monitor	1		C	C	C	C	-	A	-	-	-	-
M3025	Mattress, Pressure Reduction	1		C	C	C	C	-	A	-	-	-	-
M3070	Hamper, Linen, Mobile, w/Lid	1		C	C	C	C	-	-	-	-	-	-
M3073	Basket, Infectious Waste, Step-On	1		C	C	C	C	-	-	-	-	-	-
M4255	Stand, IV, Adjustable	1		C	C	C	C	-	-	-	-	-	-
M4266	Pump, Volumetric, Infusion, Multiple Line	1		C	C	C	C	-	A	-	-	-	-
M7007	Bed, Patient, Electric, Special Care	1		C	C	C	C	-	A	-	-	-	-
M7040	Table, Overbed	1		C	C	C	C	-	-	-	-	-	-
M7845	Monitor, Physiological, Bedside, 4 Channel	1		C	C	C	C	-	A	-	-	-	D
P3100	Lavatory, Vitreous China, Slab Type	1		A	A	A	A	D	-	-	-	-	-
P8705	Dialysis Box, Recessed, Single Valve	1		A	A	A	A	B	-	-	-	-	-

<b>Room</b> Bedroom, Acuity Adaptable (BRUN1) <b>Description:</b> Toilet/Shower (TLTS2)	<b>NSF:</b> 360 60	<b>BRUN1/TLTS2</b>	
<b>Sheet</b> <b>Description:</b> Equipment/Data Schedule	<b>Scale:</b>	Sheet <b>7</b>	of <b>8</b>

TLTS2 - EQUIPMENT SCHEDULE

JSN	Nomenclature	Qty	LF	AR	Logistics			Utilities					
					NA	AF	VA	1	2	3	4	5	6
A1066	Mirror, Float Glass, With SS Frame	1		A	A	A	A	-	-	-	-	-	-
A5030	Bench, Stall, Shower, Built In	1		A	A	A	A	-	-	-	-	-	-
A5045	Hair Dryer, Wall Mounted, Inpatient	1		C	C	C	C	-	-	-	-	-	-
A5075	Dispenser, Soap, Disposable	1		C	C	C	C	-	-	-	-	-	-
A5080	Dispenser, Paper Towel, SS, Surface Mounted	1		A	A	A	A	-	-	-	-	-	-
A5090	Disposal, Sanitary Napkin, SS, Surface Mounted	1		A	A	A	A	-	-	-	-	-	-
A5109	Grab Bar, 1-1/4" Dia., SS, 2 Wall, W/C Accessible	3		A	A	A	A	-	-	-	-	-	-
A5110	Grab Bar, 1-1/4" Dia., SS, 2 Wall, Shower Use	2		A	A	A	A	-	-	-	-	-	-
A5145	Hook, Garment, Double, SS, Surface Mounted	1		A	A	A	A	-	-	-	-	-	-
A5175	Soap Dish, With Bar, SS, Recessed	1		A	A	A	A	-	-	-	-	-	-
A5200	Dispenser, Toilet Tissue, SS, 2-Roll, Surface Mntd	1		A	A	A	A	-	-	-	-	-	-
A5205	Bar, Towel, 1" Diameter, SS, Surface Mounted	1		A	A	A	A	-	-	-	-	-	-
F2010	Basket, Wastepaper, Step-On	1		C	C	C	C	-	-	-	-	-	-
P1150	Valve, Rinse, Bedpan, With Disinfectant Injector	1		A	A	A	A	J	-	-	-	-	-
P3000	Lavatory, Vitreous China, Straight Back	1		A	A	A	A	D	-	-	-	-	-
P5040	Shower, Single, Hand-Held	1		A	A	A	A	D	-	-	-	-	-
P9050	Toilet, Wall Hung, Siphon Jet	1		A	A	A	A	B	-	-	-	-	-
TB021	Bar, Flip-up, Heavy Duty	1		C	C	C	C	-	-	-	-	-	-

<b>Room</b> Bedroom, Acuity Adaptable (BRUN1) <b>Description:</b> Toilet/Shower (TLTS2)	<b>NSF:</b> 360 60	<b>BRUN1/TLTS2</b>	
<b>Sheet</b> <b>Description:</b> Equipment Schedule	<b>Scale:</b>	Sheet <b>8</b>	of <b>8</b>