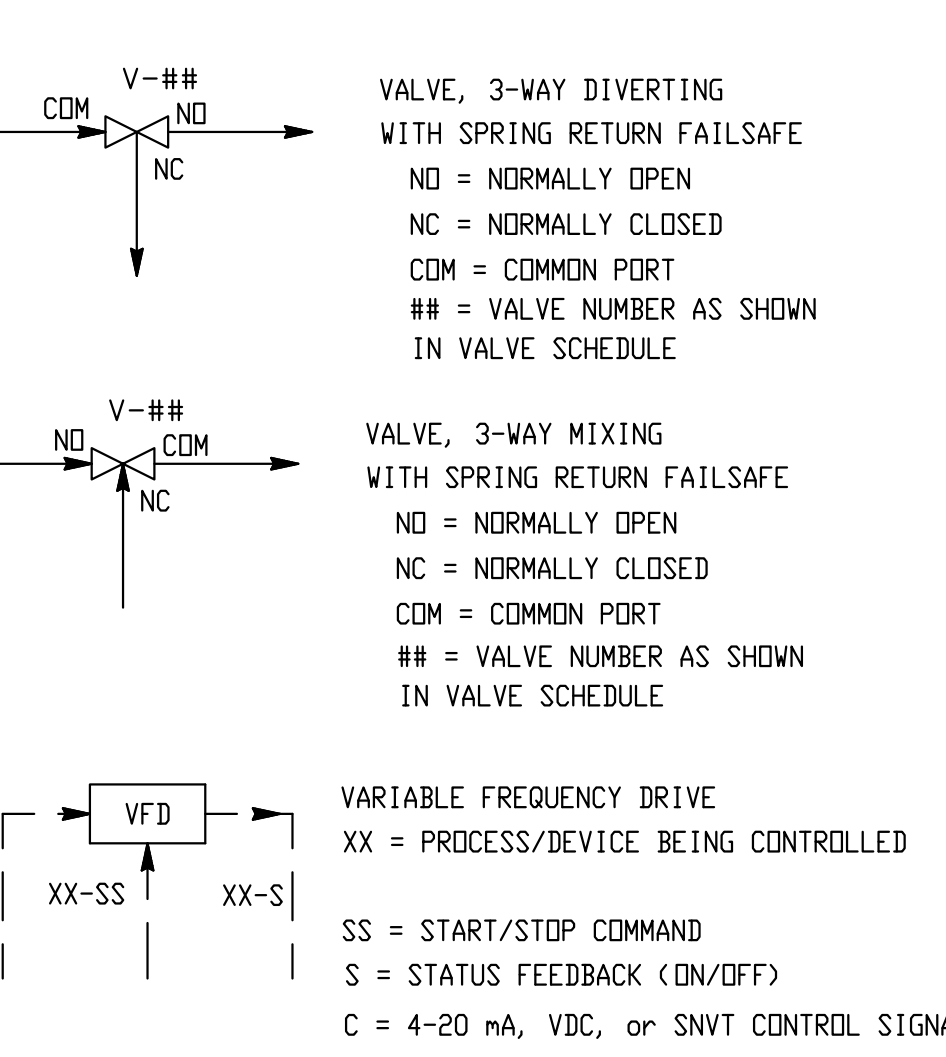
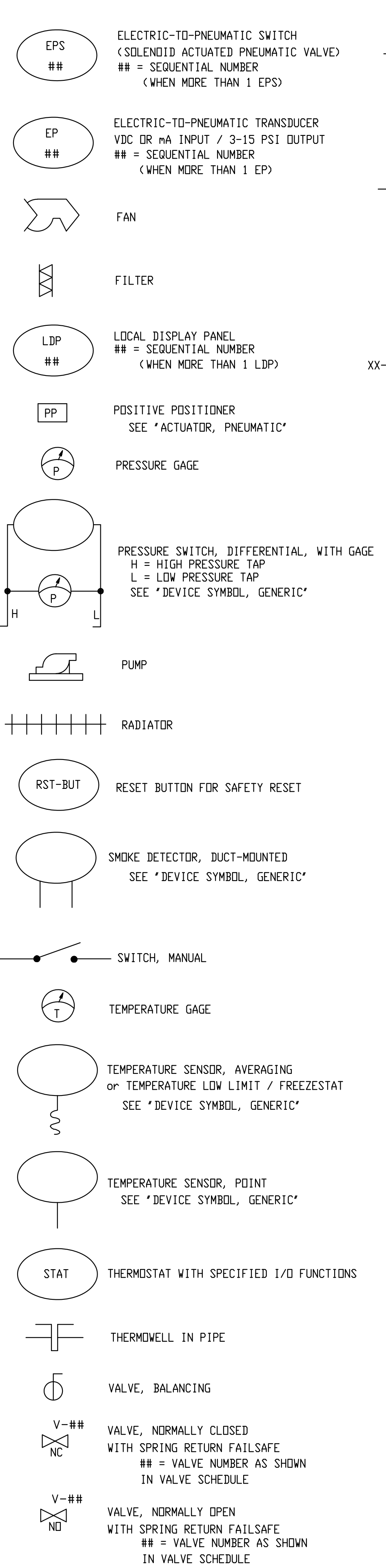
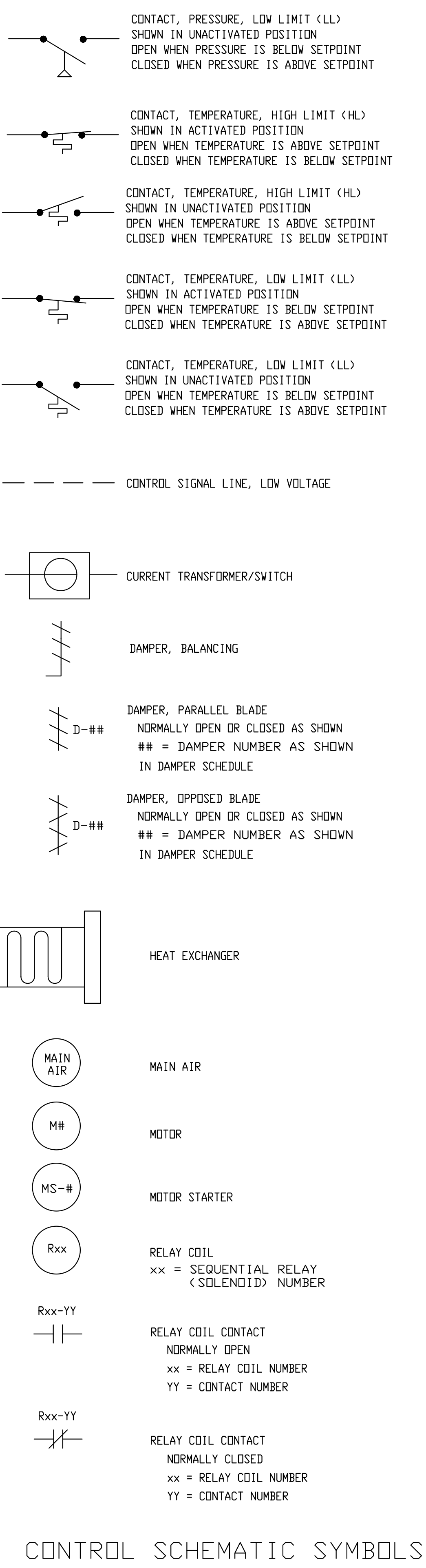
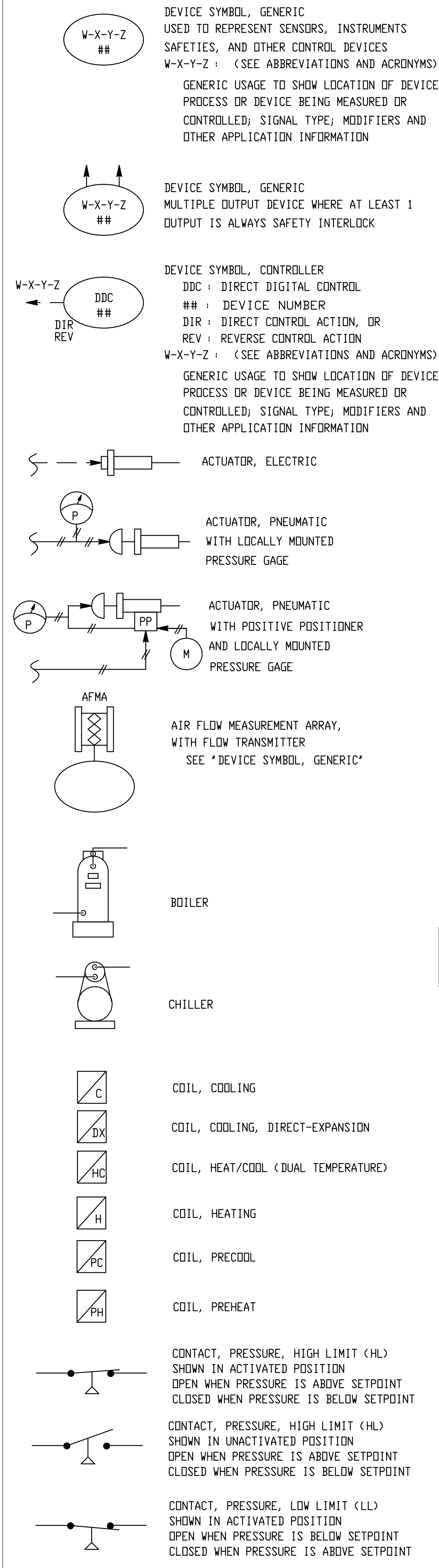


D

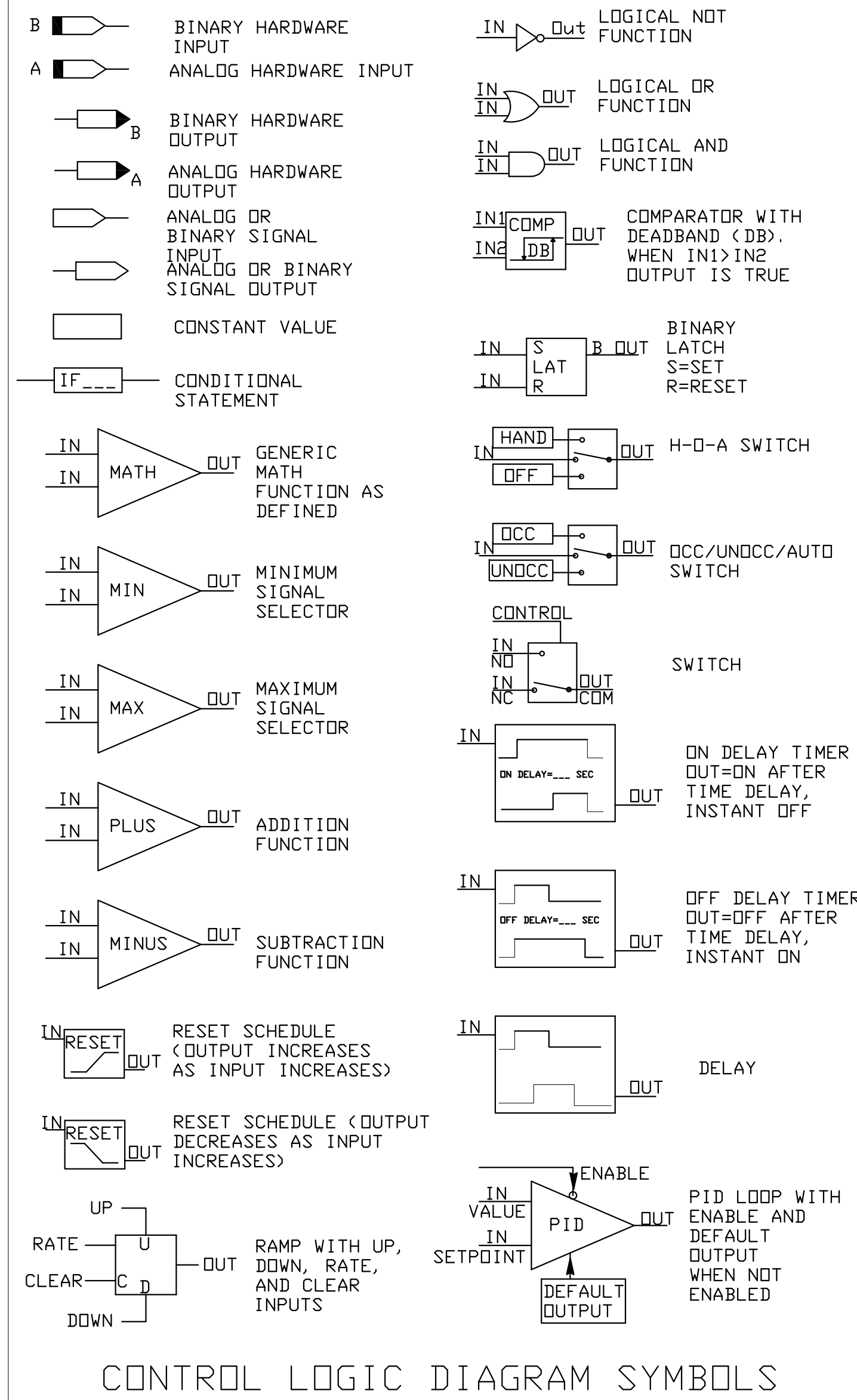
C

B

A



2P	TWO-POSITION (CONTROL SIGNAL)	DT	DUAL TEMP	P	PRESSURE
ADJ	ADJUSTABLE	DTWR	DUAL TEMP WATER RETURN	PCW	PRIMARY CHILLER WATER
AFMA	AIRFLOW MEASUREMENT ARRAY	DX	DIRECT EXPANSION (UNIT)	PCWR	PRIMARY CHILLER WATER RETURN
AI	ANALOG INPUT	EA	EXHAUST AIR	PCWS	PRIMARY CHILLER WATER SUPPLY
ALM	ALARM	ECO	ECONOMIZER	PH	PREHEAT
AO	ANALOG OUTPUT	EF	EXHAUST FAN	PID	PROPORTIONAL INTEGRAL DERIVATIVE (CONTROL)
BA	BYPASS AIR	EFF	EFFECTIVE (SETPOINT)	PMP	PUMP
BI	BINARY INPUT	ENA	ENABLE	PP	POSITIVE POSITIONER
BLDG	BUILDING	EP	ELECTRIC TO PNEUMATIC TRANSDUCER	R	RELAY
BLR	BOILER	EPS	ELECTRIC TO PNEUMATIC SWITCH	RA	RETURN AIR
BO	BINARY OUTPUT	F	FLOW	REV	REVERSE (CONTROL ACTION)
BUT	BUTTON	FACP	FIRE ALARM CONTROL PANEL	RF	RETURN FAN
C	COMMAND (MODULATING CONTROL SIGNAL)	FAS	FIRE ALARM SYSTEM	RH	RELATIVE HUMIDITY
CD	COLD DECK	FLTR	FILTER	RLA	RELIEF AIR
CF	CONDENSER FAN	HC	HEAT-COOL	RM	ROOM
CHLR	CHILLER	HD	HOT DECK	RQST	REQUEST
CLG	COOLING	HL	HIGH LIMIT	RST	RESET
CO2	CARBON DIOXIDE	HTG	HEATING	RT	RATE
COM	COMMON	HTHW	HIGH TEMPERATURE HOT WATER	RTN	RETURN
COMP	COMPARATOR	HW	HOT WATER	S	STATUS
COMP	COMPRESSOR	HWR	HOT WATER RETURN	SA	SUPPLY AIR
CP	CONFIGURATION PROPERTY	HWS	HOT WATER SUPPLY	SEC	SECONDARY
CR	CONDENSER/CONDENSATE WATER RETURN	HX	HEAT EXCHANGER	SF	SUPPLY FAN
CS	CONDENSER/CONDENSATE WATER SUPPLY	I/O	INPUT/OUTPUT	SMK	SMOKE
CSR	CURRENT SENSING RELAY	IR	INFRARED	SNVT	STANDARD NETWORK VARIABLE TYPE
CT	CURRENT TRANSFORMER/SWITCH	LDP	LOCAL DISPLAY PANEL	SP	SETPOINT
CTF	COOLING TOWER FAN	LL	LOW LIMIT	SS	START/STOP COMMAND
CWR	CHILLED WATER RETURN	M	MOTOR or MAIN	STAT	THERMOSTAT (SPACE SENSOR MODULE)
CWS	CHILLED WATER SUPPLY	M&C	MONITORING & CONTROL (SOFTWARE)	STM	STEAM
CW	CHILLED WATER	MA	MIXED AIR	SYS	SYSTEM
D	DAMPER	MINOA	MINIMUM OUTSIDE AIR	SCHD	SCHEDULER
DA	DISCHARGE AIR	MS	MOTOR STARTER	T	TEMPERATURE
DB	DEADBAND	N/A	NOT APPLICABLE	TAP	TAP, PRESSURE
DC	DAMPER COMMAND	NC	NORMALLY CLOSED	UNOCC	UNOCCUPIED
DVC	DAMPER/VALVE COMMAND	NO	NORMALLY OPEN	V	VALVE
DDC	DIRECT DIGITAL CONTROL(LER)	OA	OUTSIDE AIR	VV	VARIABLE VOLUME
DIFF	DIFFERENCE	OCC	OCCUPIED OR OCCUPANCY	VFD	VARIABLE FREQUENCY DRIVE
DIR	DIRECT (CONTROL ACTION)	ODT	ON DELAY TIMER	WB	WET BULB (TEMPERATURE)
DIS	DISABLE	OL	OVERLOAD	XFMR	TRANSFORMER
DISP	DISPLAY	OWS	OPERATOR WORKSTATION	ZN	ZONE



CONTROL LOGIC DIAGRAM SYMBOLS

CONTROL SCHEMATIC SYMBOLS

ABBREVIATIONS AND ACRONYMS

US Army Corps of Engineers

DESIGNED BY:	DATE:	8-14-2015
DRAWN BY:	OK'D BY:	N/A
SUBMITTED BY:	CONTRACT NO.:	
PLOT SCALE:	ISSUE DATE:	
FILE NAME:	FILE NUMBER:	
SIZE:	1:1	
ANG/D		

MULTI-ZONE TO VARIABLE VOLUME
CONTROLS RETROFIT
HOT DECK BYPASS

SYMBOL LEGEND AND ABBREVIATIONS

SHEET IDENTIFICATION
M-101
SHEET 2 OF 12

